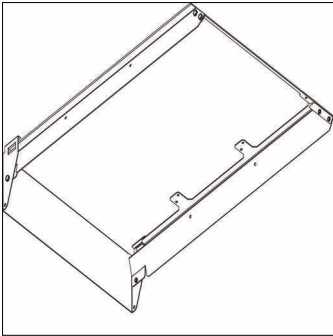


**Order No.:** 5XA779FS3 | **GTIN (EAN):** 4058352913901

**Product description:** FL11mxpro,shield

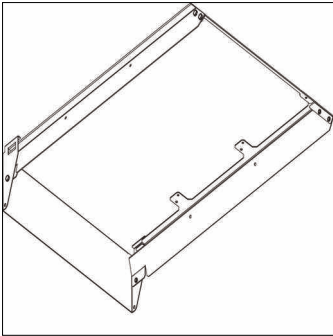


Floodlight FL 11 maxi pro shield; shield Frame Shield of aluminium, matt jet black (RAL 9005); packaging unit: 1 piece

Wt. (kg): 2.2  
GTIN (EAN): 4058352913901

Order No.: 5XA779FS3 | GTIN (EAN): 4058352913901

Detailed technical description: FL11mxpro,shield



#### Key data

- Product type: shield
- Product name: Floodlight FL 11 maxi pro
- Order No.: 5XA779FS3

#### Material, Colour

- Frame Shield: aluminium, matt jet black (RAL 9005)
- Colour specification: matt jet black (RAL 9005)

#### Dimensions, Weight

- Weight: 2.2kg