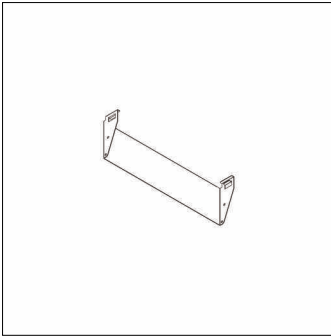


Order No.: 5XA779FBS | GTIN (EAN): 4058352913840

**Product description: FL11shield**

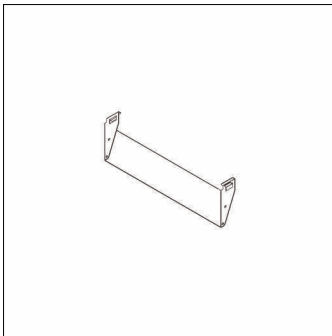


Floodlight FL 11 shield; shield Back Shield of aluminium, matt jet black (RAL 9005); packaging unit: 1 piece

Wt. (kg): 0.8  
GTIN (EAN): 4058352913840

Order No.: 5XA779FBS | GTIN (EAN): 4058352913840

**Detailed technical description: FL11shield**



#### Key data

- Product type: shield
- Product name: Floodlight FL 11
- Order No.: 5XA779FBS

#### Material, Colour

- Back Shield: aluminium, matt jet black (RAL 9005)
- Colour specification: matt jet black (RAL 9005)

#### Dimensions, Weight

- Weight: 0.8kg