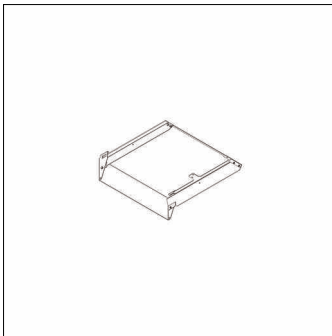


Order No.: 5XA779FS2 | **GTIN (EAN):** 4058352913864

Product description: FL11mxshield

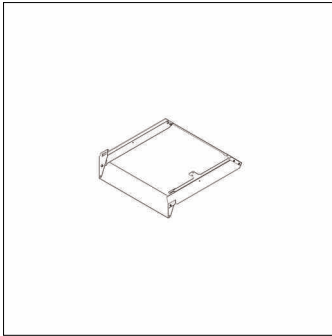


Floodlight FL 11 maxi shield; shield Frame Shield of aluminium, matt jet black (RAL 9005); packaging unit: 1 piece

Wt. (kg): 1.8
GTIN (EAN): 4058352913864

Order No.: 5XA779FS2 | GTIN (EAN): 4058352913864

Detailed technical description: FL11mxshield



Key data

- Product type: shield
- Product name: Floodlight FL 11 maxi
- Order No.: 5XA779FS2

Material, Colour

- Frame Shield: aluminium, matt jet black (RAL 9005)
- Colour specification: matt jet black (RAL 9005)

Dimensions, Weight

- Weight: 1.8kg