

Order No.: 51MY52HMTCS | GTIN (EAN): 4058352966754

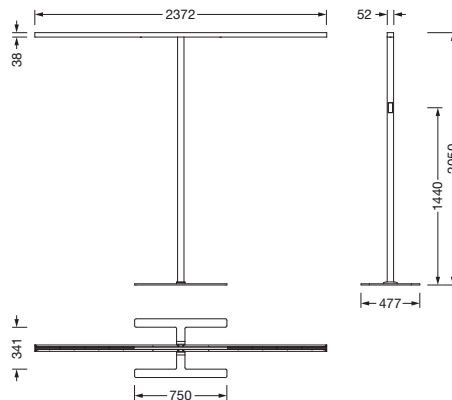
Product description: Sil31FI-d,17040lm8tw,Tdi,PIR-sens,sr



Silica® 31 Floor duo, floorstanding luminaire, secondary optical cover: cover panel, of PMMA, light emission: direct/indirect distribution, primary light characteristic: symmetric, installation type: not mounted, LED, rated luminous flux: 17.040lm, luminous efficacy: 120lm/W, light colour: 8tw, colour temperature: 2700..6500K, daylight-dependent control, with cable with plug, mains connection: 230V, AC, 50Hz, rated input power: 142W, luminaire head, of aluminium, coated, metallic grey (RAL 9006), length: 2.372mm, width: 52mm, supporting column, angular, of aluminium, coated, silver, baseplate, of steel, coated, metallic grey (RAL 9006), protection rating (complete): IP20, insulation class (complete): insulation class I (protective earthing), certification: CE, permissible operating ambient temperature: -20..+40°C, standard: EN 50419, packaging unit: 1 piece

IP 20  

Lamps:	LED
Wt. (kg):	18.0
GTIN (EAN):	4058352966754



It is mandatory that the assembly instructions must be observed when planning and installing the electrical installation (to be found at [www.siteco.com](http://www.siteco.com))

Tolerances related to thermal, electrical and photometric data according to IEC 62722

Issued 08.05.2024 - Modifications and errors subject to change - Ensure that you always use the latest version -

**Order No.:** 51MY52HMTCS | **GTIN (EAN):** 4058352966754

**Detailed technical description:** Sil31FI-d,17040lm8tw,Tdi,PIR-sens,sr



### Key data

- Product type: floorstanding luminaire
- Product name: Silica® 31 Floor duo
- Order No.: 51MY52HMTCS

### Lighting technology | Lamps | Control gear

#### Component 1

#### Lighting technology:

- Beam angle: wide distribution
- Symmetry: symmetric
- Secondary cover: cover panel
- Light emission: direct/indirect distribution, 76:24
- UGR viewing direction along longitudinal luminaire axis:  $\leq 16$
- UGR viewing direction along lateral luminaire axis:  $\leq 16$

#### Lamps:

- Lamps: with LED
- Rated luminous flux: 17040lm
- Luminous efficacy: 120lm/W
- Colour temperature: 2700..6500K
- Colour rendering index: CRI > 80
- Light colour: 8tw
- SDCM (Standard Deviation of Colour Matching): MacAdam  $\leq 3$  SDCM (initial)
- Rated input power: 142W
- Supplement: with ambient light and presence detector

#### Operating device:

- Control: Touchdim
- Switching method: daylight-dependent control

#### Certificates, Standards

- Protection rating: IP20
- Insulation class: insulation class I (protective earthing)
- Temperature range (operation): -20..+40°C
- Standard: EN 50419
- Certification, designation: CE

### Material, Colour

- luminaire head: aluminium, coated, metallic grey (RAL 9006)
- Colour specification: metallic grey (RAL 9006)
- supporting column: aluminium, coated, silver, angular
- Quantity: 1 piece
- Colour specification: silver
- baseplate: steel, coated, metallic grey (RAL 9006)
- Quantity: 1 piece
- Colour specification: metallic grey (RAL 9006)
- Cover: cover panel of PMMA

### Mounting

- Mounting method, mounting location: not mounted

### Electrical connection

- Connection: cable with plug
- Nominal voltage: 230V, 50Hz, AC

### Dimensions, Weight

- Length: 2372mm
- Width: 52mm
- Weight: 18.0kg

### Service life

- Rated service life: 100000h (L80/B10) at AT = 25°C

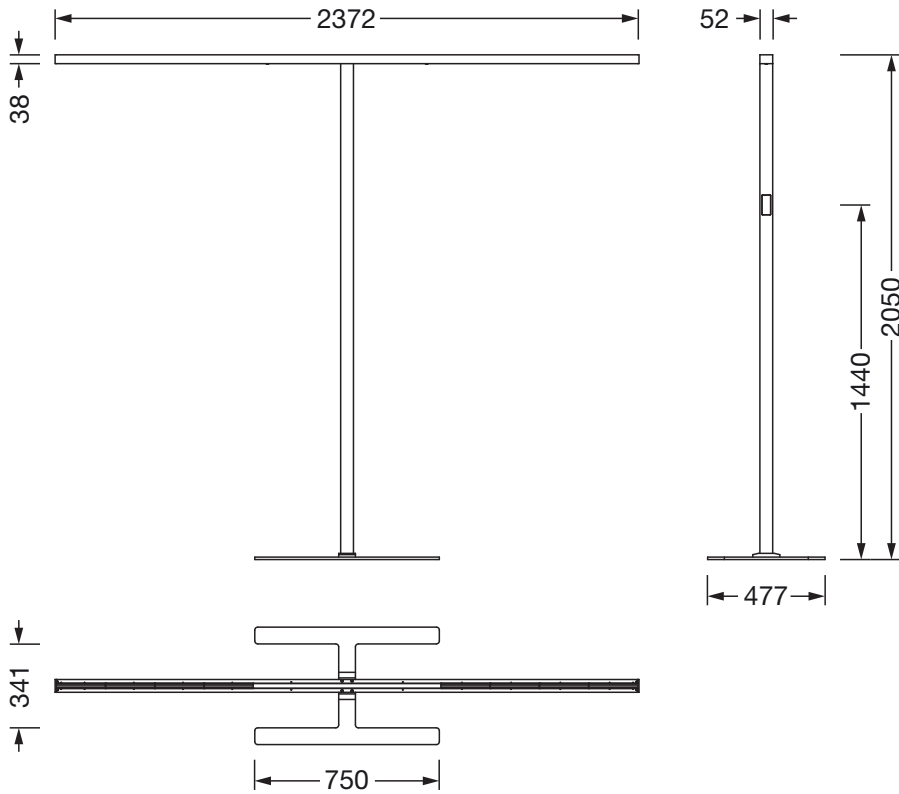
### Inputs

#### 1x PIR movement sensor

- Connection: PIR sensor (passive-infrared)

Order No.: 51MY52HMTCS | GTIN (EAN): 4058352966754

Dimensions: Sil31FI-d,17040lm8tw,Tdi,PIR-sens,sr



It is mandatory that the assembly instructions must be observed when planning and installing the electrical installation (to be found at [www.siteco.com](http://www.siteco.com))  
Tolerances related to thermal, electrical and photometric data according to IEC 62722  
Issued 08.05.2024 - Modifications and errors subject to change - Ensure that you always use the latest version -