

Order No.: 51MY52HMTCW | GTIN (EAN): 4058352966792

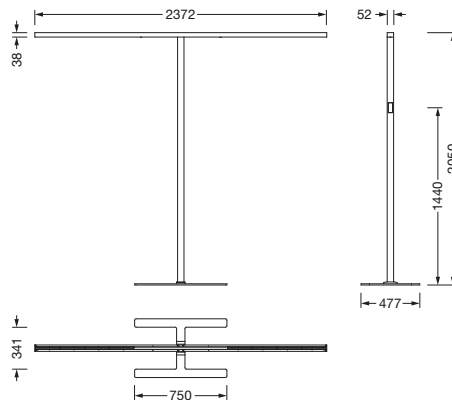
Product description: Sil31FI-d,17040lm8tw,Tdi,PIR-sens,wh



Silica 31 Floor duo, floorstanding luminaire, secondary optical cover: cover panel, of PMMA, light emission: direct/indirect distribution, primary light characteristic: symmetric, installation type: not mounted, LED, rated luminous flux: 17.040lm, luminous efficacy: 120lm/W, light colour: 8tw, colour temperature: 2700..6500K, control gear: Touchdim, daylight-dependent control, with cable with plug, mains connection: 230V, AC, 50Hz, connection cable included, cable length: 2,5m, rated input power: 142W, luminaire head, of aluminium, coated, traffic white (RAL 9016), length: 2.372mm, width: 52mm, supporting column, angular, of aluminium, coated, traffic white (RAL 9016), baseplate, of steel, coated, traffic white (RAL 9016), local control - self-sufficient standalone sensors, direct and indirect component separately switchable, protection rating (complete): IP20, insulation class (complete): insulation class I (protective earthing), certification: CE, ENEC, permissible operating ambient temperature: -20..+40°C, standard: EN 50419, packaging unit: 1 piece



Lamps:	LED
Wt. (kg):	18.1
GTIN (EAN):	4058352966792



It is mandatory that the assembly instructions must be observed when planning and installing the electrical installation (to be found at www.siteco.com)

Tolerances related to thermal, electrical and photometric data according to IEC 62722

Issued 14.02.2026 - Modifications and errors subject to change - Ensure that you always use the latest version -

Order No.: 51MY52HMTCW | **GTIN (EAN):** 4058352966792

Detailed technical description: Sil31FI-d,17040lm8tw,Tdi,PIR-sens,wh



Key data

- Product type: floorstanding luminaire
- Product name: Silica 31 Floor duo
- Order No.: 51MY52HMTCW

Lighting technology | Lamps | Control gear

Component 1

Lighting technology:

- Beam angle: wide distribution
- Symmetry: symmetric
- Secondary cover: cover panel
- Light emission: direct/indirect distribution, 76:24
- UGR viewing direction along longitudinal luminaire axis: ≤ 16
- UGR viewing direction along lateral luminaire axis: ≤ 16

Lamps:

- Lamps: with LED
- Rated luminous flux: 17040lm
- Luminous efficacy: 120lm/W
- Colour temperature: 2700..6500K
- Colour rendering index: CRI > 80
- Light colour: 8tw
- SDCM (Standard Deviation of Colour Matching): MacAdam ≤ 3 SDCM (initial)
- Rated input power: 142W
- Supplement: with ambient light and presence detector

Operating device:

- Control: Touchdim, direct and indirect component separately switchable
- Switching method: daylight-dependent control

Certificates, Standards

- Protection rating: IP20
- Insulation class: insulation class I (protective earthing)
- Temperature range (operation): -20..+40°C
- Standard: EN 50419
- Certification, designation: CE, ENEC

Material, Colour

- luminaire head: aluminium, coated, traffic white (RAL 9016)
- supporting column: aluminium, coated, traffic white (RAL 9016), angular
- Quantity: 1 piece
- baseplate: steel, coated, traffic white (RAL 9016)
- Quantity: 1 piece
- Cover: cover panel of PMMA

Mounting

- Mounting method, mounting location: not mounted

Electrical connection

- Connection: cable with plug
- Nominal voltage: 230V, 50Hz, AC
- Connection cable: included, L= 2.5m

Dimensions, Weight

- Length: 2372mm
- Width: 52mm
- Weight: 18.1kg

Service life

- Rated service life: 100000h (L80/B10) at AT = 25°C

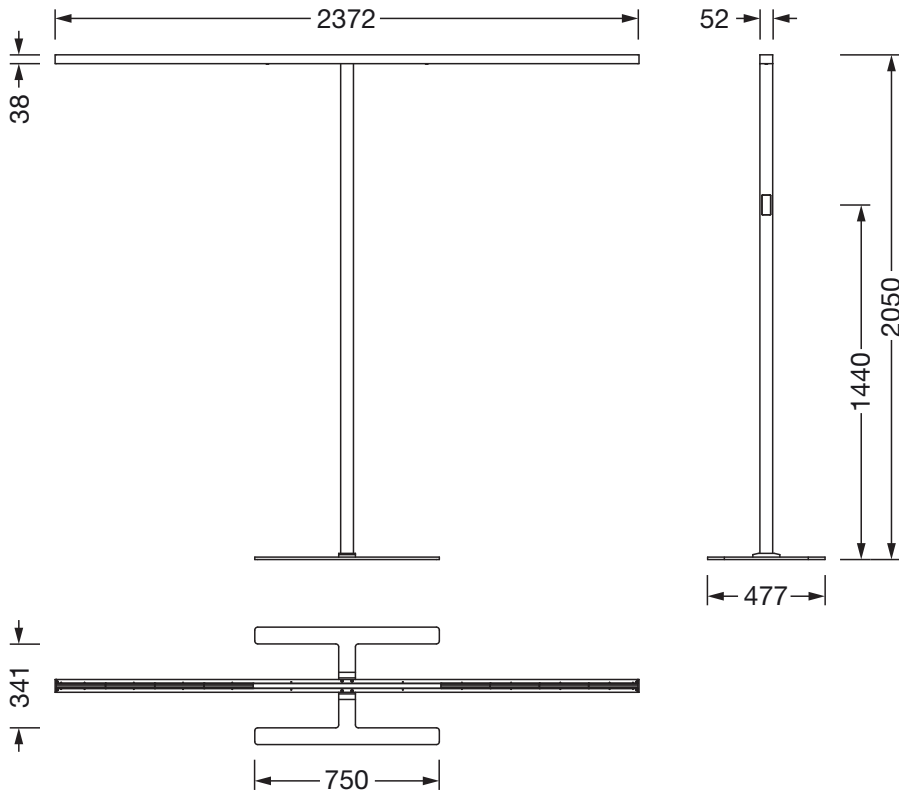
Inputs

1x PIR movement sensor

- Connection: PIR sensor (passive-infrared)

Order No.: 51MY52HMT CW | GTIN (EAN): 4058352966792

Dimensions: Sil31FI-d,17040lm8tw,Tdi,PIR-sens,wh



It is mandatory that the assembly instructions must be observed when planning and installing the electrical installation (to be found at www.siteco.com)
Tolerances related to thermal, electrical and photometric data according to IEC 62722
Issued 14.02.2026 - Modifications and errors subject to change - Ensure that you always use the latest version -