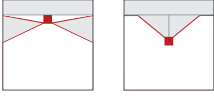


**Order No.:** 51TD12DN4FXM3S | **GTIN (EAN):** 4058352934708

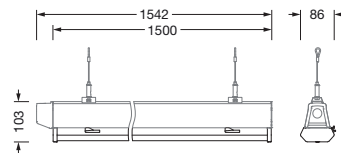
**Product description:** Lic11Pr,wd,15270lm840,DA2,IP54,L1500,wh



Licross® 11 Protected HO, luminaire insert, of sheet steel, galvanised, coil coated, white, length: 1.500mm, width: 90mm, height: 101mm, LED rated luminous flux: 15.270lm, light colour: 840, control gear: DALI 2, with plug, 6-pole, with phase selection, for trunking rail, 14-core, mains connection: 220..240V, AC, 50/60Hz, rated input power: 91W, for trunking rail, 14-core, halogen-free wiring, for emergency light function, converter, control gear: single battery element, battery: LiFeP04, 9Ah, primary light control with lens, of plastic, primary optical cover: cover, of PMMA, light emission: direct distribution, primary light characteristic: symmetric, protection rating (complete): IP54, insulation class (complete): insulation class I (protective earthing), certification: CE, UKCA, protection symbol: D if used in an environment with non-conductive dust loads with corresponding accessories, impact resistance: IK06, permissible ambient temperature for indoor applications: +5..+30°C, standard: EN 60598-2-22, LABS conformity tested according to VDMA 24364:2018-05, reducing of maximum allowable ambient temperature of 5°C with ceiling mounting, corresponds to IFS (International Featured Standards) requirements for safety and quality in the food industry, packaging unit: 1 piece

IP 54 IK 06  

Lamps: LED  
 Wt. (kg): 2.9  
 GTIN (EAN): 4058352934708



It is mandatory that the assembly instructions must be observed when planning and installing the electrical installation (to be found at [www.siteco.com](http://www.siteco.com))

Tolerances related to thermal, electrical and photometric data according to IEC 62722

Issued 01.03.2024 - Modifications and errors subject to change - Ensure that you always use the latest version -

**Order No.:** 51TD12DN4FXM3S | **GTIN (EAN):** 4058352934708

**Detailed technical description:** Lic11Pr,wd,15270Im840,DA2,IP54,L1500,wh



#### Key data

- Product type: luminaire insert
- Product name: Licross® 11 Protected HO
- Order No.: 51TD12DN4FXM3S

#### Lighting technology | Lamps | Control gear

##### Component 1

#### Lighting technology:

- Light control: lens of plastic
- Cover: cover
- Beam angle: wide distribution
- Symmetry: symmetric
- Light emission: direct distribution

#### Lamps:

- Supplement: with self-test function according to 60598-2-22, 2-rod battery, charging phase on R (wire number 6)

#### Operating device:

- Control gear: single battery element
- Battery: LiFeP04
- Nominal service life: 3h

##### Component 2

#### Certificates, Standards

- Protection rating: IP54
- Insulation class: insulation class I (protective earthing)
- Impact resistance: IK06
- Protection symbol: D if used in an environment with non-conductive dust loads with corresponding accessories
- Temperature range (operation): +5..+30°C
- Supplement: corresponds to IFS (International Featured Standards) requirements for safety and quality in the food industry, reducing of maximum allowable ambient temperature of 5°C with ceiling mounting, LABS conformity tested according to VDMA 24364:2018-05
- Standard: EN 60598-2-22
- Certification, designation: CE, UKCA

#### Material, Colour

- Licross® LED insert: sheet steel, galvanised, coil coated, white
- Colour specification: white
- Cover: cover of PMMA

#### Mounting

- Mounting method, mounting location: slip-in mounting, in the Licross® trunking rail
- Arrangement: single/continuous arrangement
- Supplement: only suitable for indoor use

#### Electrical connection

- Connection: plug, 6-pole, with phase selection, for trunking rail, 14-core
- Nominal voltage: 220..240V, 50/60Hz, AC

#### Dimensions, Weight

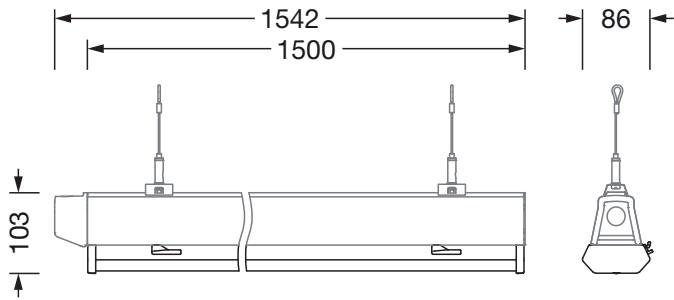
- Length: 1500mm
- Width: 90mm
- Height: 101mm
- Weight: 2.9kg

#### Service life

- Rated service life: 100000h (L80/B50) at AT = ta max, 100000h (L85/B50) at AT = 25°C

**Order No.:** 51TD12DN4FXM3S | **GTIN (EAN):** 4058352934708

**Dimensions:** Lic11Pr,wd,15270lm840,DA2,IP54,L1500,wh



It is mandatory that the assembly instructions must be observed when planning and installing the electrical installation (to be found at [www.siteco.com](http://www.siteco.com))

Tolerances related to thermal, electrical and photometric data according to IEC 62722

Issued 01.03.2024 - Modifications and errors subject to change - Ensure that you always use the latest version -