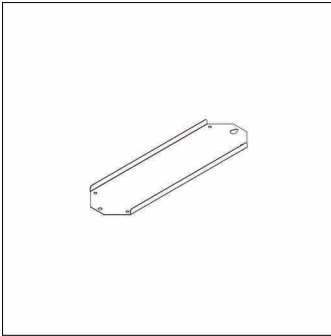


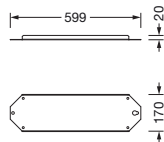
Order No.: 5XA779REH | GTIN (EAN): 4058352782859

Product description: FL11,ECG-fix,st.steel



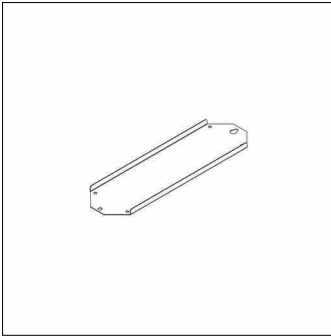
Floodlight FL 11 fixing bracket; fixing bracket fixing for ECG unit of stainless steel, packaging unit: 1 piece

Wt. (kg): 1.0  
GTIN (EAN): 4058352782859



Order No.: 5XA779REH | GTIN (EAN): 4058352782859

Detailed technical description: FL11,ECG-fix,st.steel



#### Key data

- Product type: fixing bracket
- Product name: Floodlight FL 11
- Order No.: 5XA779REH

#### Material, Colour

- fixing for ECG unit: stainless steel

#### Mounting

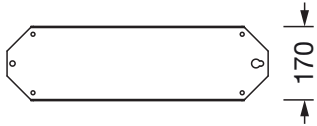
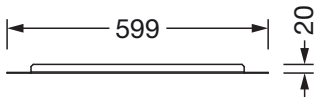
- Mounting method, mounting location:  
screw fastening, in mast

#### Dimensions, Weight

- Weight: 1.0kg

Order No.: 5XA779REH | GTIN (EAN): 4058352782859

Dimensions: FL11, ECG-fix, st. steel



It is mandatory that the assembly instructions must be observed when planning and installing the electrical installation (to be found at [www.siteco.com](http://www.siteco.com))

Tolerances related to thermal, electrical and photometric data according to IEC 62722

Issued 16.02.2024 - Modifications and errors subject to change - Ensure that you always use the latest version -