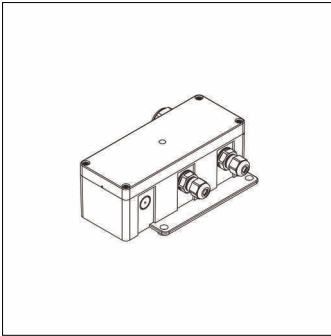


Order No.: 5XA779RECB | GTIN (EAN): 4058352599860

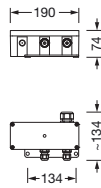
Product description: FL11,IP66



Floodlight FL 11 junction box; junction box junction box of PC, fixing angle bracket, of stainless steel, protection rating (complete): IP66; packaging unit: 1 piece

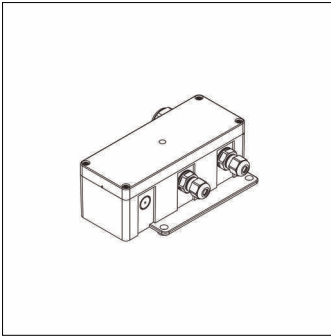
IP 66

Wt. (kg): 0.6
GTIN (EAN): 4058352599860



Order No.: 5XA779RECB | GTIN (EAN): 4058352599860

Detailed technical description: FL11,IP66



Key data

- Product type: junction box
- Product name: Floodlight FL 11
- Order No.: 5XA779RECB

Certificates, Standards

- Protection rating: IP66

Material, Colour

- junction box: PC
- fixing angle bracket: stainless steel

Mounting

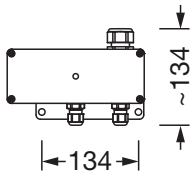
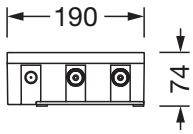
- Mounting method, mounting location:
screw fastening, to mounting bracket

Dimensions, Weight

- Weight: 0.6kg

Order No.: 5XA779RECB | GTIN (EAN): 4058352599860

Dimensions: FL11,IP66



It is mandatory that the assembly instructions must be observed when planning and installing the electrical installation (to be found at www.siteco.com)

Tolerances related to thermal, electrical and photometric data according to IEC 62722

Issued 09.02.2024 - Modifications and errors subject to change - Ensure that you always use the latest version -