

Order No.: 5XA779428V01AA | **GTIN (EAN):** 4058352977828

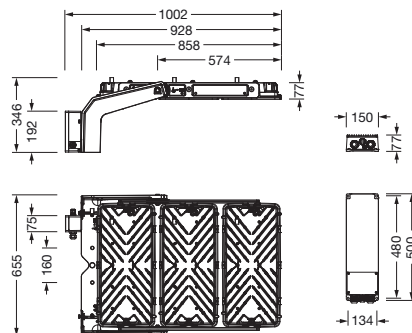
Product description: FL11mxproRe,PL64,196240lm857,DA2



Floodlight FL 11 maxi pro Remote floodlight; light control with lens of PMMA; cover panel of toughened safety glass, transparent; light distribution: PL64, asymmetric direct distribution, LEDcolour temperature: 5700K, rated luminous flux: 196.240lm, colour rendering: CRI > 80, light colour: 857; luminous efficacy: 128lm/W; brightness control: DALI 2 (1 DALI address); with terminal, 8-pole, max. 2.5mm², mains connection: 220..240V/380..400V AC, 50/60Hz, surge voltage resistance: line to ground: 10kV, dimming range 10..100%, dustproof LED module, LED unit replaceable without ESD environment, no afterglow with DALI off / DMX off command, ECG replaceable separately; 1540W floodlight mounting bracket, of diecast aluminium, uncoated, natural, equipment: Power, impact resistance: IK07; packaging unit: 1 piece

IK 07

Lamps:	LED
Wt. (kg):	29.6
GTIN (EAN):	4058352977828



It is mandatory that the assembly instructions must be observed when planning and installing the electrical installation (to be found at www.siteco.com)

Tolerances related to thermal, electrical and photometric data according to IEC 62722

Issued 01.03.2024 - Modifications and errors subject to change - Ensure that you always use the latest version -

Order No.: 5XA779428V01AA | GTIN (EAN): 4058352977828

Detailed technical description: FL11mxproRe,PL64,196240lm857,DA2



Key data

- Product type: floodlight
- Product name: Floodlight FL 11 maxi pro Remote
- Order No.: 5XA779428V01AA

Service life

- Rated service life: 10000h (L96/B10) at AT = 10°C, 75000h (L80/B10) at AT = 10°C

Lighting technology | Lamps | Control gear

Component 1

Lighting technology:

- Light control: lens of PMMA
- Cover: cover panel, transparent
- Light distribution: PL64
- Symmetry: asymmetric distribution
- Light emission: direct distribution

Lamps:

- Lamps: with LED
- Rated luminous flux: 196240lm
- Luminous efficacy: 128lm/W
- Colour temperature: 5700K
- Colour rendering index: CRI > 80
- Light colour: 857
- Rated input power: 1540W

Operating device:

- Control: DALI 2 (1 DALI address)

Certificates, Standards

- Impact resistance: IK07

Material, Colour

- mounting bracket: diecast aluminium, uncoated, natural
- Colour specification: natural
- Cover: cover panel of toughened safety glass

Electrical connection

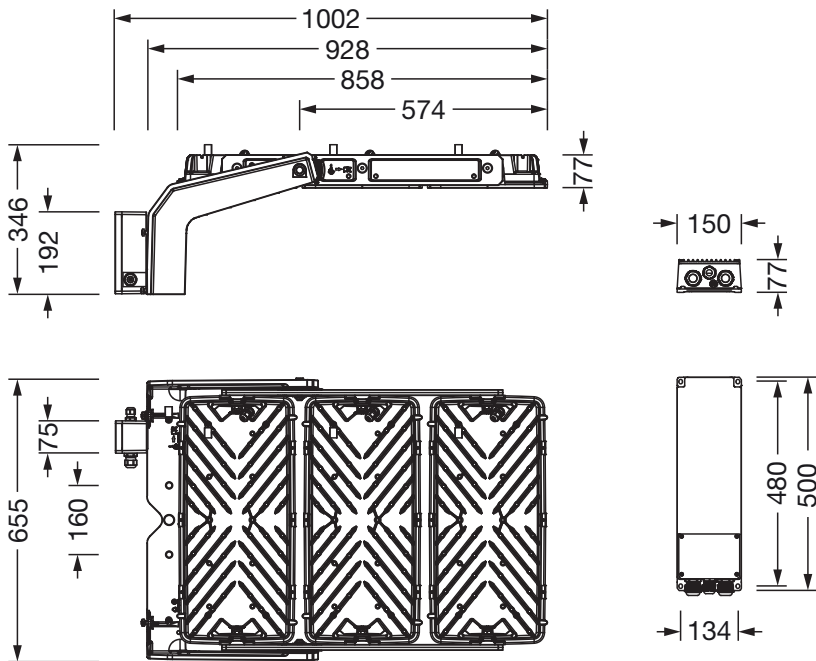
- Connection: terminal, 8-pole, max. 2.5mm²
- Nominal voltage: 220..240V/380..400V, 50/60Hz, AC
- Surge voltage resistance: line to ground: 10kV

Dimensions, Weight

- Weight: 29.6kg

Order No.: 5XA779428V01AA | GTIN (EAN): 4058352977828

Dimensions: FL11mxproRe,PL64,196240lm857,DA2



It is mandatory that the assembly instructions must be observed when planning and installing the electrical installation (to be found at www.siteco.com)
Tolerances related to thermal, electrical and photometric data according to IEC 62722
Issued 01.03.2024 - Modifications and errors subject to change - Ensure that you always use the latest version -