

Order No.: 5XE5D57N08DB | GTIN (EAN): 4058352897102

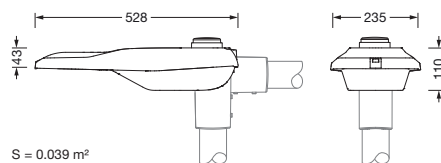
Product description: SL21mc,S100003,4400lm830,NEMA7,N7a



Streetlight SL 21 micro, mast luminaire, primary light control with lens, of PMMA, primary optical cover: cover, of toughened safety glass, transparent, light distribution: S100003, primary beam angle: wide distribution, light emission: direct distribution, primary light characteristic: asymmetric, installation type: post-top, lamps: LED, rated values: 4.400lm | 39,1W | 112,5lm/W (begin service life); end service life: 4.400lm | 40,8W; at 50% lumin. flux: 2.208lm | 17,7W | 124,7lm/W, colour temperature: 3000K, colour rendering: CRI > 80, light colour: 830, light setting 1 (further light settings possible): 100% | 4.400lm | 39,1W | 112,5lm/W | 3.000K (begin service life); end service life: 40,8W, control gear: NEMA (7pin), control: overheat protection, pre-setting: linear dimming characteristic, constant luminous flux control, time-dependent luminous flux control, flexible luminous flux parameterisation, mains connection: 230..240V, AC, 50/60Hz, surge voltage resistance: surge voltage resistance: 10kV (common mode); 6kV (differential mode), connection cable: pre-assembled, cable length: 6,5m, wiring characteristics: H07RN-F, 3G 1,5mm², configuration: L/N/PE, luminaire housing, of diecast aluminium (EN AC-44300), powder-coated, SITECO metallic grey (DB 702S), corrosivity category C5 high according to DIN EN ISO 12944, multi-level sealing system, sealing non-destructively replaceable, inclination adjustable: 0°, 5°, 10°, 15°, length: 528mm, width: 235mm, height: 110mm, spigot size: 76/60mm (post-top), Smart Interface above: NEMA (7pin), protection rating (complete): IP66, insulation class (complete): insulation class I (protective earthing), certification: CE, ENEC, ENEC+, VDE, impact resistance: IK10, permissible operating ambient temperature for outdoor applications: -40..+50°C, standard-compliant lighting for roads and squares, packaging unit: 1 piece



Lamps: LED
 Wt. (kg): 5.9
 GTIN (EAN): 4058352897102



Order No.: 5XE5D57N08DB | GTIN (EAN): 4058352897102

Detailed technical description: SL21mc,S100003,4400lm830,NEMA7,N7a



Key data

- Product type: mast luminaire
- Product name: Streetlight SL 21 micro
- Order No.: 5XE5D57N08DB

Lighting technology | Lamps | Control gear

Component 1

Lighting technology:

- Light control: lens of PMMA
- Cover: cover, transparent
- Light distribution: S100003
- Beam angle: wide distribution
- Symmetry: asymmetric distribution
- Light emission: direct distribution

Lamps:

- Lamps: with LED
- Rated values: 4400lm | 39.1W | 112.5lm/W (begin service life); end service life: 4400lm | 40.8W; at 50% lumin. flux: 2208lm | 17.7W | 124.7lm/W
- Colour temperature: 3000K
- Colour rendering index: CRI > 80
- Light colour: 830

Factory light settings (LS):

- begin service life: LS 1: 100% | 4400lm | 39.1W | 112.5lm/W | 3000K
- end service life: LS 1: 40.8W
- further light settings possible

Operating device:

- Control: NEMA (7pin)
- Smart Interface above: NEMA (7pin)
- Equipment: overheat protection, constant luminous flux control, time-dependent luminous flux control, flexible luminous flux parameterisation, pre-setting: linear dimming characteristic

Certificates, Standards

- Protection rating: IP66
- Insulation class: insulation class I (protective earthing)
- Impact resistance: IK10
- Temperature range (operation): -40..+50°C
- Supplement: standard-compliant lighting for roads and squares
- Corrosion protection: corrosivity category C5 high according to DIN EN ISO 12944
- Certification, designation: CE, ENEC, ENEC+, VDE

Material, Colour

- luminaire housing: diecast aluminium (EN AC-44300), powder-coated, SITECO metallic grey (DB 702S), inclination adjustable: 0°, 5°, 10°, 15°, sealing non-destructively replaceable, multi-level sealing system
- Cover: cover of toughened safety glass

Mounting

- Mounting method, mounting location: post-top, on mast
- Supplement: with pre-assembled mast flange

Electrical connection

- Connection cable: pre-assembled, L= 6.5m, H07RN-F, 3G 1.5mm², L/N/PE
- Nominal voltage: 230..240V, 50/60Hz, AC
- Surge voltage resistance: surge voltage resistance: 10kV (common mode); 6kV (differential mode)

Dimensions, Weight

- Length: 528mm
- Width: 235mm
- Height: 110mm
- Weight: 5.9kg
- Mast spigot: spigot size: 76/60mm (post-top)

Light emission

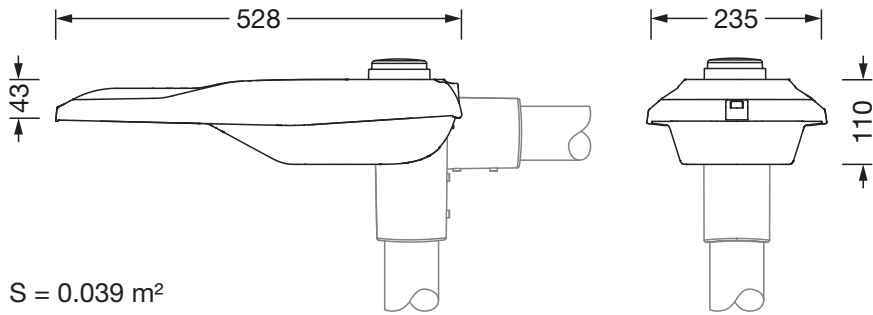
- Light emission: 0% at 0° inclination

Service life

- Rated service life: 100000h (L97/B10) at AT = 25°C

Order No.: 5XE5D57N08DB | GTIN (EAN): 4058352897102

Dimensions: SL21mc,S100003,4400lm830,NEMA7,N7a



S = 0.039 m²