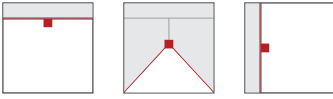


**Order No.:** 51LN12MDM20A | **GTIN (EAN):** 4058352011508

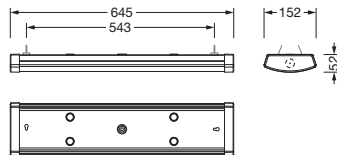
**Product description:** Silue21,2600lm8mc,ML,L600



Silhouette® 21, office luminaire, primary optical cover: enclosure, of PC, frosted, light emission: direct distribution, primary light characteristic: symmetric, installation type: suspended mounting, surface-mounted, LED, rated luminous flux: 2.600lm, luminous efficacy: 130lm/W, light colour: 830/840/850, colour temperature: 3000/4000/5000K, with terminal, 3-pole, mains connection: 220..240V, AC, 50/60Hz, rated input power: 20W, housing, of sheet steel, white, length: 600mm, width: 152mm, height: 53mm, end cap, of PMMA, white, protection rating (complete): IP44, insulation class (complete): insulation class I (protective earthing), certification: CE, UKCA, protection symbol: D, permissible operating ambient temperature: -20..+40°C, contact your sales advisor before using the luminaires in applications with unclear chemical exposure, large temperature fluctuations or condensation-forming humidity, corresponds to IFS (International Featured Standards) requirements for safety and quality in the food industry, packaging unit: 1 piece



Lamps:	LED
Wt. (kg):	1.6
GTIN (EAN):	4058352011508



**Order No.:** 51LN12MDM20A | **GTIN (EAN):** 4058352011508

**Detailed technical description:** Silue21,2600lm8mc,ML,L600



#### Key data

- Product type: office luminaire
- Product name: Siluette® 21
- Order No.: 51LN12MDM20A

#### Lighting technology | Lamps | Control gear

#### Component 1

#### Lighting technology:

- Cover: enclosure, frosted
- Beam angle: wide distribution
- Symmetry: symmetric
- Light emission: direct distribution

#### Lamps:

- Lamps: with LED
- Rated luminous flux: 2600lm
- Luminous efficacy: 130lm/W
- Colour temperature: 3000/4000/5000K
- Colour rendering index: CRI > 80
- Light colour: 830/840/850
- Rated input power: 20W
- Supplement: luminous flux adjustable on luminaire in four steps (1400/1800/2200/2600lm), connected load according to luminous flux setting (11/14/17/20W)

#### Operating device:

- Control: ON/OFF Multilumen

#### Certificates, Standards

- Protection rating: IP44
- Insulation class: insulation class I (protective earthing)
- Protection symbol: D
- Temperature range (operation): - 20..+40°C
- Supplement: corresponds to IFS (International Featured Standards) requirements for safety and quality in the food industry, contact your sales advisor before using the luminaires in applications with unclear chemical exposure, large temperature fluctuations or condensation-forming humidity
- Certification, designation: CE, UKCA

#### Material, Colour

- housing: sheet steel, white
- Colour specification: white
- end cap: PMMA, white
- Quantity: 2 piece
- Colour specification: white
- Cover: enclosure of PC

#### Mounting

- Mounting method, mounting location: suspended mounting, surface-mounted, to wire, to the ceiling, to the wall
- Arrangement: single arrangement
- Supplement: only suitable for indoor use

#### Electrical connection

- Connection: terminal, 3-pole
- Nominal voltage: 220..240V, 50/60Hz, AC

#### Dimensions, Weight

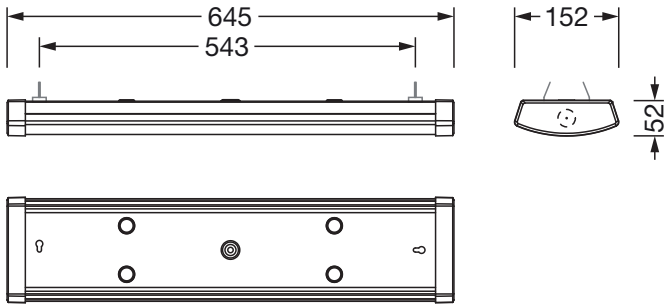
- Length: 600mm
- Width: 152mm
- Height: 53mm
- Weight: 1.6kg

#### Service life

- Rated service life: 100000h (L80/B50) at AT = 25°C

Order No.: 51LN12MDM20A | GTIN (EAN): 4058352011508

Dimensions: Silue21,2600lm8mc,ML,L600



It is mandatory that the assembly instructions must be observed when planning and installing the electrical installation (to be found at [www.siteco.com](http://www.siteco.com))

Tolerances related to thermal, electrical and photometric data according to IEC 62722

Issued 01.03.2024 - Modifications and errors subject to change - Ensure that you always use the latest version -