

Order No.: 5XE6U47N08GB | GTIN (EAN): 4058352995471

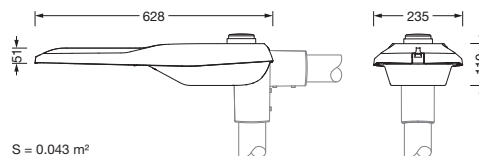
Product description: SL21mn,P080001,6240lm740,NEMA7,N7a



Streetlight SL 21 mini, mast luminaire, primary light control with lens, of PMMA, primary optical cover: cover, of toughened safety glass, transparent, light distribution: P080001, primary beam angle: wide distribution, light emission: direct distribution, primary light characteristic: asymmetric, installation type: side-entry, lamps: LED, rated values: 6.240lm | 40,4W | 154,5lm/W (begin service life); end service life: 6.240lm | 41,1W; at 50% lumin. flux: 3.111lm | 19,2W | 162lm/W, colour temperature: 4000K, colour rendering: CRI > 70, light colour: 740, light setting 1 (further light settings possible): 100% | 6.240lm | 40,4W | 154,5lm/W | 4.000K (begin service life); end service life: 41,1W, control gear: NEMA (7pin), control: flexible luminous flux parameterisation, time-dependent luminous flux control, constant luminous flux control, pre-setting: linear dimming characteristic, overheat protection, mains connection: 230..240V, AC, 50/60Hz, surge voltage resistance: surge voltage resistance: 10kV (common mode); 6kV (differential mode), connection cable: pre-assembled, cable length: 8,5m, wiring characteristics: H07RN-F, 3G 1,5mm², configuration: L/N/PE, luminaire housing, of diecast aluminium (EN AC-44300), powder-coated, SITECO metallic grey (DB 702S), corrosivity category C5 high according to DIN EN ISO 12944, multi-level sealing system, sealing non-destructively replaceable, inclination adjustable: 0°, 5°, 10°, 15°, length: 628mm, width: 235mm, height: 110mm, spigot size: 42mm (side-entry), Smart Interface above: NEMA (7pin), protection rating (complete): IP66, insulation class (complete): insulation class I (protective earthing), certification: CE, ENEC, ENEC+, VDE, impact resistance: IK10, permissible operating ambient temperature for outdoor applications: -40..+50°C, standard-compliant lighting for roads and squares, packaging unit: 1 piece



Lamps: LED
 Wt. (kg): 6.8
 GTIN (EAN): 4058352995471



Order No.: 5XE6U47N08GB | GTIN (EAN): 4058352995471

Detailed technical description: SL21mn,P080001,6240lm740,NEMA7,N7a



Key data

- Product type: mast luminaire
- Product name: Streetlight SL 21 mini
- Order No.: 5XE6U47N08GB

Lighting technology | Lamps | Control gear

Component 1

Lighting technology:

- Light control: lens of PMMA
- Cover: cover, transparent
- Light distribution: P080001
- Beam angle: wide distribution
- Symmetry: asymmetric distribution
- Light emission: direct distribution

Lamps:

- Lamps: with LED
- Rated values: 6240lm | 40.4W | 154.5lm/W (begin service life); end service life: 6240lm | 41.1W; at 50% lumin. flux: 3111lm | 19.2W | 162lm/W
- Colour temperature: 4000K
- Colour rendering index: CRI > 70
- Light colour: 740

Factory light settings (LS):

- begin service life:
LS 1: 100% | 6240lm | 40.4W | 154.5lm/W | 4000K
- end service life:
LS 1: 41.1W
- further light settings possible

Operating device:

- Control: NEMA (7pin)
- Smart Interface above: NEMA (7pin)
- Equipment: overheat protection, constant luminous flux control, time-dependent luminous flux control, flexible luminous flux parameterisation, pre-setting: linear dimming characteristic

Certificates, Standards

- Protection rating: IP66
- Insulation class: insulation class I (protective earthing)
- Impact resistance: IK10
- Temperature range (operation): -40..+50°C
- Supplement: standard-compliant lighting for roads and squares
- Corrosion protection: corrosivity category C5 high according to DIN EN ISO 12944
- Certification, designation: CE, ENEC, ENEC+, VDE

Material, Colour

- luminaire housing: diecast aluminium (EN AC-44300), powder-coated, SITECO metallic grey (DB 702S), inclination adjustable: 0°, 5°, 10°, 15°, sealing non-destructively replaceable, multi-level sealing system
- Cover: cover of toughened safety glass

Mounting

- Mounting method, mounting location: side-entry, on mast
- Supplement: with pre-assembled mast flange

Electrical connection

- Connection cable: pre-assembled, L= 8.5m, H07RN-F, 3G 1.5mm², L/N/PE
- Nominal voltage: 230..240V, 50/60Hz, AC
- Surge voltage resistance: surge voltage resistance: 10kV (common mode); 6kV (differential mode)

Dimensions, Weight

- Length: 628mm
- Width: 235mm
- Height: 110mm
- Weight: 6.8kg
- Mast spigot: spigot size: 42mm (side-entry)

Light emission

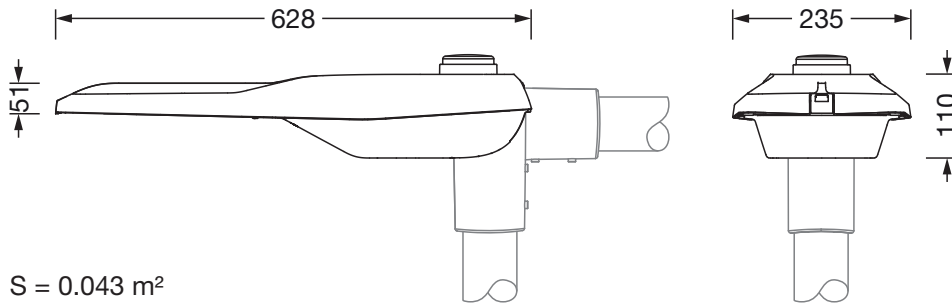
- Light emission: 0% at 0° inclination

Service life

- Rated service life: 100000h (L97/B10) at AT = 25°C

Order No.: 5XE6U47N08GB | GTIN (EAN): 4058352995471

Dimensions: SL21mn,P080001,6240lm740,NEMA7,N7a



S = 0.043 m²