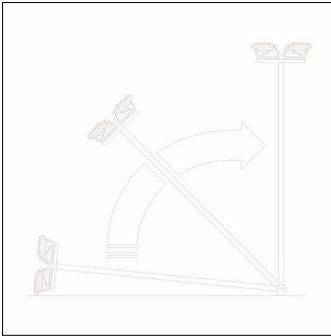


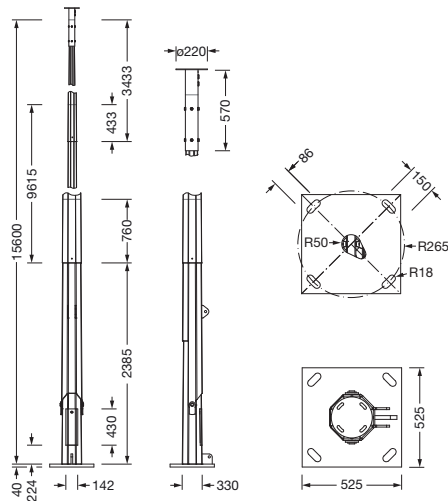
**Order No.:** 5NYHALRL152 | **GTIN (EAN):** 4069025213204

**Product description:** r-l-mast,steel,galv,15.6m



mast, raise and lower mast, installation type: screw fastening, raise and lower mast, of steel, galvanised, for up to 4 pcs. Floodlight FL 11 maxi pro in wind zone 1, for up to 3 pcs. Floodlight FL 11 maxi pro in wind zone 2, height: 15.6m, mast doors, of steel, galvanised, width: 125mm, height: 410mm, standard: DIN EN 40, packaging unit: 1 piece

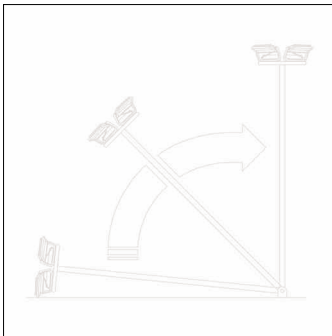
Wt. (kg): 462.1  
GTIN (EAN): 4069025213204



It is mandatory that the assembly instructions must be observed when planning and installing the electrical installation (to be found at [www.siteco.com](http://www.siteco.com))  
Tolerances related to thermal, electrical and photometric data according to IEC 62722  
Issued 25.07.2025 - Modifications and errors subject to change - Ensure that you always use the latest version -

Order No.: 5NYHALRL152 | GTIN (EAN): 4069025213204

Detailed technical description: r-l-mast,steel,galv,15.6m



#### Key data

- Product type: raise and lower mast
- Product name: mast
- Order No.: 5NYHALRL152

#### Certificates, Standards

- Standard: DIN EN 40

#### Material, Colour

- raise and lower mast: steel, galvanised, for up to 4 pcs. Floodlight FL 11 maxi pro in wind zone 1, for up to 3 pcs. Floodlight FL 11 maxi pro in wind zone 2
- mast doors: steel, galvanised

#### Mounting

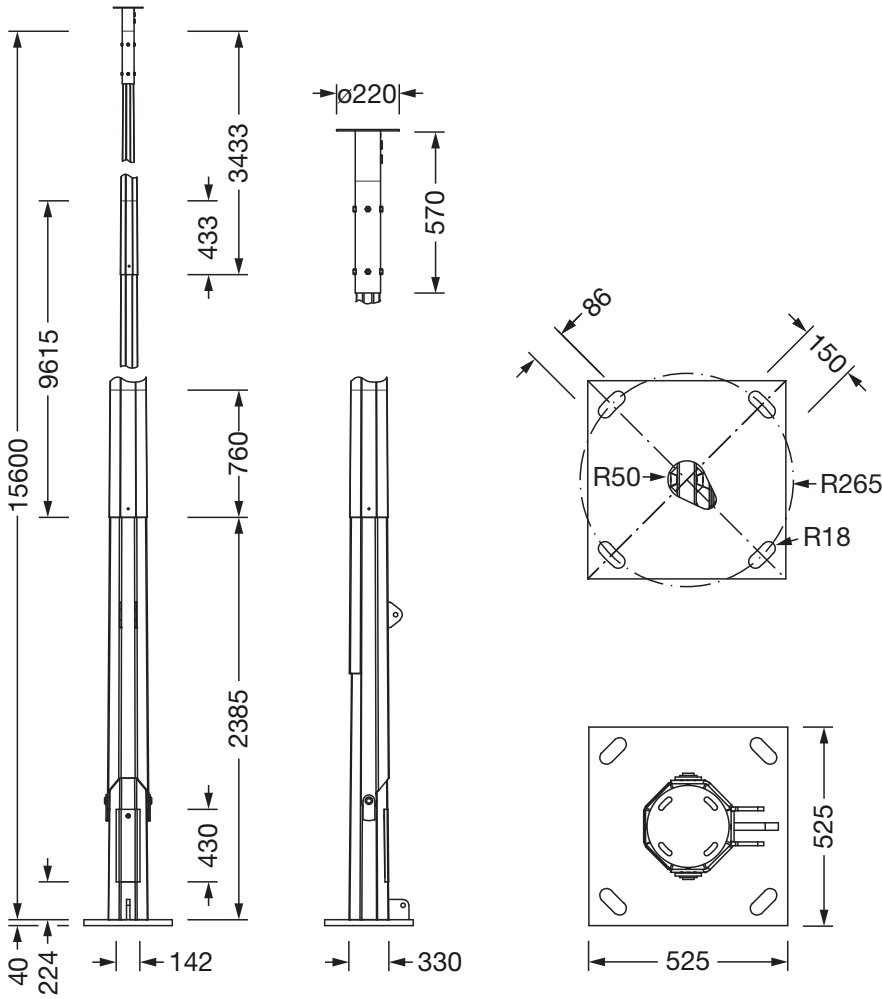
- Mounting method, mounting location: screw fastening, on foundation
- Supplement: fastening with four fastening bolts M36 x 1200mm, strength class 8.8, not included

#### Dimensions, Weight

- Height: 15.6m
- Weight: 462.1kg
- Supplement: for medium loads

Order No.: 5NYHALRL152 | GTIN (EAN): 4069025213204

Dimensions: r-l-mast, steel, galv, 15.6m



It is mandatory that the assembly instructions must be observed when planning and installing the electrical installation (to be found at [www.siteco.com](http://www.siteco.com))  
 Tolerances related to thermal, electrical and photometric data according to IEC 62722  
 Issued 25.07.2025 - Modifications and errors subject to change - Ensure that you always use the latest version -