

Order No.: 5PJDN11MB1G30B | **GTIN (EAN):** 4069025155924

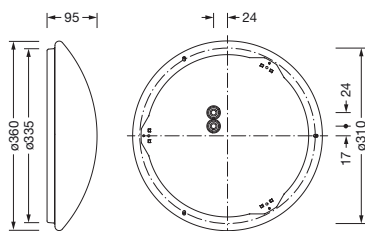
Product description: RON31,3000lm830/840,ML,PMMA,wh



Rondel 31, wall and ceiling luminaire, primary optical cover: enclosure, of PMMA, light emission: direct distribution, primary light characteristic: symmetric, installation type: surface-mounted, LED, rated luminous flux: 3.000lm, luminous efficacy: 120lm/W, light colour: 830/840, colour temperature: 3000/4000K, control gear: ON/OFF Multilumen, with terminal, 3-pole, max. 2.5mm², mains connection: 230V, AC, 50/60Hz, rated input power: 21W, luminaire housing, round, of steel, white, diameter: 360mm, height: 95mm, protection rating (complete): IP40, insulation class (complete): insulation class I (protective earthing), certification: CE, impact resistance: IK02, permissible operating ambient temperature: -20..+25°C, packaging unit: 1 piece

IP 40  

Lamps:	LED
Wt. (kg):	1.3
GTIN (EAN):	4069025155924



Order No.: 5PJDN11MB1G30B | **GTIN (EAN):** 4069025155924

Detailed technical description: RON31,3000lm830/840,ML,PMMA,wh



Key data

- Product type: wall and ceiling luminaire
- Product name: Rondel 31
- Order No.: 5PJDN11MB1G30B

Dimensions, Weight

- Diameter: 360mm
- Height: 95mm
- Weight: 1.3kg

Lighting technology | Lamps | Control gear

Service life

- Rated service life: 50000h (L80/B10) at AT = 25°C

Component 1

Lighting technology:

- Cover: enclosure
- Beam angle: 120°
- Symmetry: symmetric distribution
- Light emission: direct distribution

Lamps:

- Lamps: with LED
- Rated luminous flux: 3000lm
- Luminous efficacy: 120lm/W
- Colour temperature: 3000/4000K
- Colour rendering index: CRI > 80
- Light colour: 830/840
- SDCM (Standard Deviation of Colour Matching): MacAdam ≤ 3 SDCM (initial)
- Rated input power: 21W

Operating device:

- Control: ON/OFF Multilumen

Certificates, Standards

- Protection rating: IP40
- Insulation class: insulation class I (protective earthing)
- Impact resistance: IK02
- Temperature range (operation): -20...+25°C
- Certification, designation: CE

Material, Colour

- luminaire housing: steel, white, round
- Cover: enclosure of PMMA

Mounting

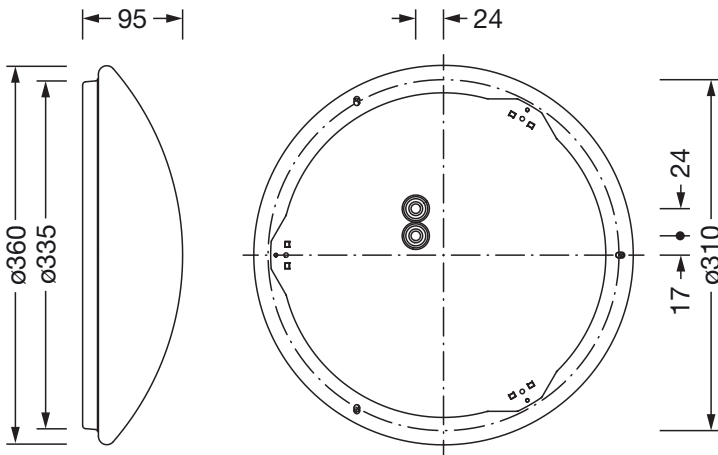
- Mounting method, mounting location: surface-mounted, to the ceiling, to the wall
- Arrangement: single arrangement

Electrical connection

- Connection: terminal, 3-pole, max. 2.5mm²
- Nominal voltage: 230V, 50/60Hz, AC

Order No.: 5PJDN11MB1G30B | GTIN (EAN): 4069025155924

Dimensions: RON31,3000lm830/840,ML,PMMA,wh



It is mandatory that the assembly instructions must be observed when planning and installing the electrical installation (to be found at www.siteco.com)
Tolerances related to thermal, electrical and photometric data according to IEC 62722
Issued 14.02.2026 - Modifications and errors subject to change - Ensure that you always use the latest version -