

**Order No.:** 51DN15EG42B | **GTIN (EAN):** 4069025151629

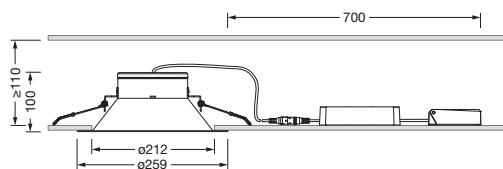
**Product description:** Lun31XL,wd,2500lm840,DA2ML,wh



Lunis 31-XL, downlight, light control with lens, UGR of luminaire  $\leq 19$  (X = 4H | Y = 8H | S = 0.25H | reflection values 70/50/20), beam angle: wide distribution, light emission: direct distribution, LED rated luminous flux: 2.500lm, light colour: 840, mains connection: 220..240V, AC/DC, 0/50..60Hz, housing, of aluminium, white, protection rating (complete): IP20, protection rating (on room side): IP54, insulation class (complete): insulation class II (safety insulation), certification: CE, ENEC, packaging unit: 1 piece

IP 20  

Lamps:	LED
Wt. (kg):	0.6
GTIN (EAN):	4069025151629



It is mandatory that the assembly instructions must be observed when planning and installing the electrical installation (to be found at [www.siteco.com](http://www.siteco.com))

Tolerances related to thermal, electrical and photometric data according to IEC 62722

Issued 27.02.2026 - Modifications and errors subject to change - Ensure that you always use the latest version -

**Order No.:** 51DN15EG42B | **GTIN (EAN):** 4069025151629

**Detailed technical description:** Lun31XL,wd,2500lm840,DA2ML,wh



#### Key data

- Product type: downlight
- Product name: Lunis 31-XL
- Order No.: 51DN15EG42B

#### Lighting technology | Lamps | Control gear

#### Component 1

#### Lighting technology:

- Light control: lens
- Beam angle: wide distribution
- Light emission: direct distribution
- UGR viewing direction along longitudinal luminaire axis:  $\leq 19$
- UGR viewing direction along lateral luminaire axis:  $\leq 19$

#### Lamps:

- Lamps: with LED
- Rated luminous flux: 2500lm
- Luminous efficacy: 143lm/W
- Colour temperature: 4000K
- Colour rendering index: CRI > 80
- Light colour: 840
- SDCM (Standard Deviation of Colour Matching): MacAdam  $\leq 4$  SDCM (initial)
- Rated input power: 17.5W
- Supplement: luminous flux adjustable on luminaire in three steps at 4000K (1850/2175/2500lm), connected load according to luminous flux setting (13.0/15.3/17.5W)

#### Operating device:

- Control: DALI 2, Multilumen

#### Certificates, Standards

- Protection rating: IP20
- Protection rating (on room side): IP54
- Insulation class: insulation class II (safety insulation)
- Certification, designation: CE, ENEC

#### Material, Colour

- housing: aluminium, white

#### Mounting

- Mounting method, mounting location: recessed, in the ceiling
- $\varnothing$  of ceiling cut-out: 212mm
- Arrangement: single arrangement

#### Electrical connection

- Nominal voltage: 220..240V, 0/50..60Hz, AC/DC

#### Dimensions, Weight

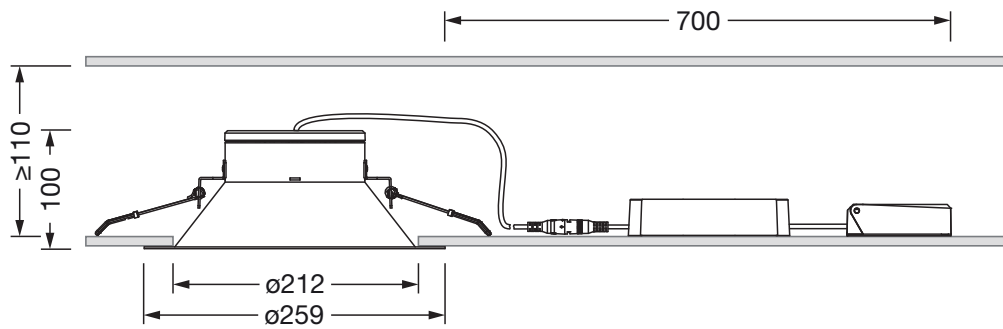
- Weight: 0.6kg

#### Service life

- Rated service life: 50000h (L80/B50) at AT = 25°C

Order No.: 51DN15EG42B | GTIN (EAN): 4069025151629

Dimensions: Lun31XL,wd,2500lm840,DA2ML,wh



It is mandatory that the assembly instructions must be observed when planning and installing the electrical installation (to be found at [www.siteco.com](http://www.siteco.com))

Tolerances related to thermal, electrical and photometric data according to IEC 62722

Issued 27.02.2026 - Modifications and errors subject to change - Ensure that you always use the latest version -