

**Order No.:** 51HN12DA4HDA | **GTIN (EAN):** 4069025230560

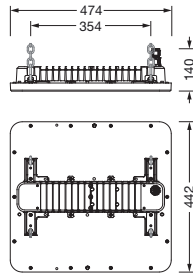
**Product description:** HB11md,wd,18500lm840,DA2



high bay luminaire Highbay 11 midi; direct symmetric wide distribution, light control with lens of PMMA;  $UGR \leq 22$  ( $X = 4H$  |  $Y = 8H$  |  $S = 0.25H$  | reflection values 70/50/20); luminous flux: 18.500lm; light colour: 840, colour temperature: 4000K, MacAdam  $\leq 2$  SDCM (initial), colour rendering: CRI > 80; luminous efficacy: 201,5lm/W; rated service life: 100.000h (L95) at AT= 25°C; control: DALI 2; luminaire connection: terminal, 5-pole, max. 2.5mm<sup>2</sup> (cable entry for one cable,  $\varnothing$  8.5..16mm); mains connection: 230..240V, AC/DC 0/50..60Hz; connected load: 91,8W; protection rating (complete): IP66; insulation class (complete): insulation class I (protective earthing); protection symbol: D; impact resistance: IK08; certification: CE, ENEC, VDE, UKCA; luminaire for central battery installations according to EN 60598-2-22, internal wiring halogen-free; luminaire Suitable for use in the food industry according to the specifications of IFS-Food, HACCP and/or BRC; LABS conformity tested according to VDMA 24364:2018-05; housing frame of high-performance plastic PA6, matt traffic white (RAL 9016); cover of PMMA; dimension (LxWxH): 474 x 442 x 72mm; permissible operating ambient temperature: -40..+60°C (reducing of maximum allowable ambient temperature of 5°C with ceiling mounting); packaging unit: 1 piece; (delivery without accessories; please order mounting accessories separately)



Lamps:	LED
Wt. (kg):	3.7
GTIN (EAN):	4069025230560



**Order No.:** 51HN12DA4HDA | **GTIN (EAN):** 4069025230560

**Detailed technical description:** HB11md,wd,18500lm840,DA2



#### Key data

- Product type: high bay luminaire
- Product name: Highbay 11 midi
- Order No.: 51HN12DA4HDA

#### Lighting technology | Lamps | Control gear

##### Component 1

#### Lighting technology:

- Light control: lens of PMMA
- Cover: cover
- Beam angle: wide distribution
- Symmetry: symmetric
- Light emission: direct distribution
- UGR viewing direction along longitudinal luminaire axis:  $\leq 22$
- UGR viewing direction along lateral luminaire axis:  $\leq 22$

#### Lamps:

- Lamps: with LED
- Rated luminous flux: 18500lm
- Luminous efficacy: 202lm/W
- Colour temperature: 4000K
- Colour rendering index: CRI > 80
- Light colour: 840
- SDCM (Standard Deviation of Colour Matching): MacAdam  $\leq 2$  SDCM (initial)
- Rated input power: 91.8W
- Supplement: internal wiring halogen-free

#### Operating device:

- Switching method: for central battery installations according to EN 60598-2-22

##### Component 2

#### Certificates, Standards

- Protection rating: IP66
- Insulation class: insulation class I (protective earthing)
- Impact resistance: IK08
- Protection symbol: D
- Temperature range (operation): -40..+60°C
- Supplement: LABS conformity tested according to VDMA 24364:2018-05, Suitable for use in the food industry according to the specifications of IFS-Food, HACCP and/or BRC
- Standard: EN 60598-2-22
- Certification, designation: CE, ENEC, VDE, UKCA

#### Material, Colour

- housing frame: high-performance plastic PA6, matt traffic white (RAL 9016)
- Cover: cover of PMMA

#### Mounting

- Mounting method, mounting location: suspended mounting, surface-mounted, to wire, to the ceiling, to the wall, to the chain
- Arrangement: single arrangement

#### Electrical connection

- Connection: terminal, 5-pole, max. 2.5mm<sup>2</sup>
- Nominal voltage: 230..240V, 0/50..60Hz, AC/DC

#### Dimensions, Weight

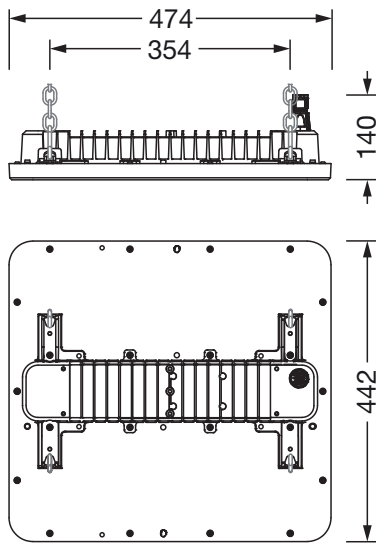
- Length: 474mm
- Width: 442mm
- Height: 72mm
- Weight: 3.7kg

#### Service life

- Rated service life: 100000h (L95) at AT = 25°C, 100000h (L90) at AT = ta max

Order No.: 51HN12DA4HDA | GTIN (EAN): 4069025230560

Dimensions: HB11md,wd,18500lm840,DA2



It is mandatory that the assembly instructions must be observed when planning and installing the electrical installation (to be found at [www.siteco.com](http://www.siteco.com))

Tolerances related to thermal, electrical and photometric data according to IEC 62722

Issued 20.03.2026 - Modifications and errors subject to change - Ensure that you always use the latest version -