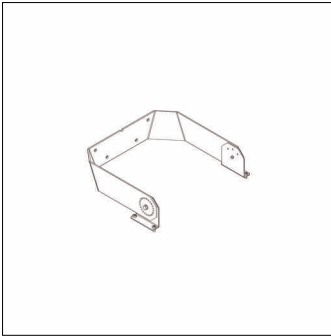


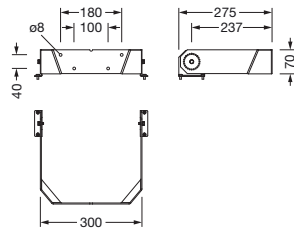
Order No.: 59HN92007 | GTIN (EAN): 4069025238894

Product description: HB11, wall-fast.inclin, st. steel, 1pc



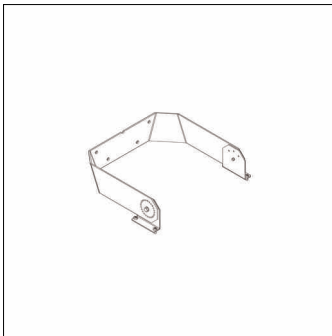
Highbay 11; wall fastening, inclinable; stainless steel; for suspension height: 280mm; luminaire inclination adjustable at bracket in 15° steps; packaging unit: 1 piece

Wt. (kg): 1.5
GTIN (EAN): 4069025238894



Order No.: 59HN92007 | GTIN (EAN): 4069025238894

Detailed technical description: HB11,wall-fast.inclin,st.steel,1pc



Key data

- Product type: wall fastening
- Product name: Highbay 11
- Order No.: 59HN92007

Material, Colour

- bracket: stainless steel

Mounting

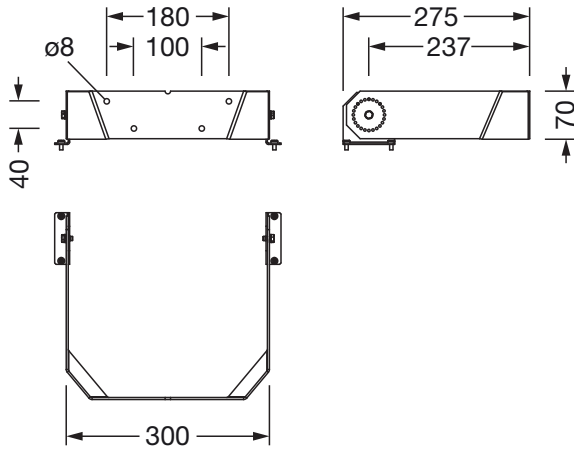
- Recommended suspension height:
280mm

Dimensions, Weight

- Weight: 1.5kg

Order No.: 59HN92007 | GTIN (EAN): 4069025238894

Dimensions: HB11, wall-fast.inclin, st. steel, 1 pc



It is mandatory that the assembly instructions must be observed when planning and installing the electrical installation (to be found at www.siteco.com)
Tolerances related to thermal, electrical and photometric data according to IEC 62722
Issued 09.04.2025 - Modifications and errors subject to change - Ensure that you always use the latest version -