

Order No.: 5XA779119T01GB | **GTIN (EAN):** 4069025139504

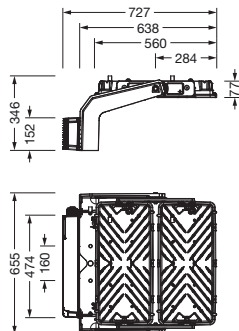
**Product description:** FL11mx,A330001,155560lm757,DA2,gy



Floodlight FL 11 maxi floodlight; light control with lens of PMMA; cover panel of toughened safety glass, transparent; light distribution: A330001, asymmetric direct distribution, rated values: 155.560lm | 1.182,1W | 131,6lm/W, colour temperature: 5700K, colour rendering: CRI > 70, light colour: 757, light setting 1 (further light settings possible): 100% | 155.560lm | 1.182,1W | 131,6lm/W | 5.700Kdimming curve linear; brightness control: DALI 2; mains connection: 200..400V AC, 50/60Hz, surge voltage resistance: line to ground: 10kV, electrical connection: terminal, 5-pole, max. 2.5mm<sup>2</sup>, solid wire, fine wire, ECG replaceable separately, LED unit replaceable without ESD environment, dimming range 10..100%; floodlight with 2x LED unit of diecast aluminium, grey; length: 728mm / width: 655mm / height: 346mm; mounting bracket, of diecast aluminium, uncoated, ECG unit, of diecast aluminium, coated, grey, equipment: Power, protection rating (complete): IP66; insulation class (complete): insulation class I (protective earthing); certification: CE, ENEC, VDE, UKCA; ball protection: ball impact resistant, impact resistance: IK07; only for outdoor installations in the designated locations, permissible operating ambient temperature: -45..+55°C, permissible storage temperature: -40..+85°Cpackaging unit: 1 piece



Lamps:	LED
Wt. (kg):	24.4
GTIN (EAN):	4069025139504



It is mandatory that the assembly instructions must be observed when planning and installing the electrical installation (to be found at [www.siteco.com](http://www.siteco.com))

Tolerances related to thermal, electrical and photometric data according to IEC 62722

Issued 24.04.2026 - Modifications and errors subject to change - Ensure that you always use the latest version -

Order No.: 5XA779119T01GB | **GTIN (EAN):** 4069025139504

**Detailed technical description:** FL11mx,A330001,155560lm757,DA2,gy



#### Key data

- Product type: floodlight
- Product name: Floodlight FL 11 maxi
- Order No.: 5XA779119T01GB

#### Lighting technology | Lamps | Control gear

#### Component 1

#### Lighting technology:

- Light control: lens of PMMA
- Cover: cover panel, transparent
- Light distribution: A330001
- Symmetry: asymmetric distribution
- Light emission: direct distribution

#### Lamps:

- Lamps: with LED
- Rated values: 155560lm | 1182.1W | 131.6lm/W
- Colour temperature: 5700K
- Colour rendering index: CRI > 70
- Light colour: 757
- Supplement: LED service life up to 100,000h L90. Typical operating time: 1000h per year.

#### Factory light settings (LS):

- LS 1: 100% | 155560lm | 1182.1W | 131.6lm/W | 5700K
- further light settings possible

#### Operating device:

- Control: DALI 2
- Equipment: dimming curve linear

#### Certificates, Standards

- Protection rating: IP66
- Insulation class: insulation class I (protective earthing)
- Impact resistance: IK07
- Temperature range (operation): -45..+55°C
- Supplement: only for outdoor installations in the designated locations
- Corrosion protection: corrosivity category C3 according to DIN EN ISO 12944; fastening screws made of non-corrosive material, additionally with anti-corrosion coating, tested according to DIN EN ISO 9227 NSS:Jul17 (similar to DIN EN ISO 12944 for C5)
- Certification, designation: CE, ENEC, VDE, UKCA

#### Material, Colour

- LED unit: diecast aluminium, grey
- Quantity: 2 piece
- mounting bracket: diecast aluminium, uncoated
- ECG unit: diecast aluminium, coated, grey
- Cover: cover panel of toughened safety glass

#### Mounting

- Mounting method, mounting location: surface-mounted, to supporting structure, to the ceiling, to the cross arm

#### Electrical connection

- Connection: terminal, 5-pole, max. 2.5mm<sup>2</sup>, solid wire, fine wire
- Nominal voltage: 200..400V, 50/60Hz, AC
- Surge voltage resistance: line to ground: 10kV

#### Dimensions, Weight

- Length: 728mm
- Width: 655mm
- Height: 346mm
- Weight: 24.4kg

#### Light emission

- Light emission: 0%

**Order No.:** 5XA779119T01GB | **GTIN (EAN):** 4069025139504

**Detailed technical description:** FL11mx,A330001,155560lm757,DA2,gy

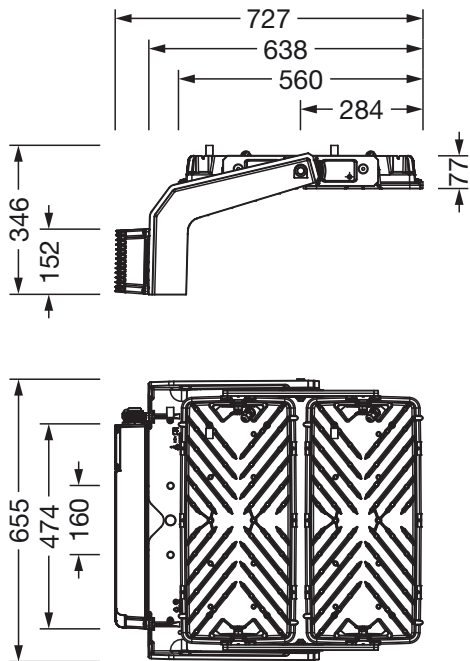


**Place of operation**

- Suitable for: Bangladesh, India, Saudi Arabia, United Arab Emirates

Order No.: 5XA779119T01GB | GTIN (EAN): 4069025139504

Dimensions: FL11mx,A330001,155560lm757,DA2,gy



It is mandatory that the assembly instructions must be observed when planning and installing the electrical installation (to be found at [www.siteco.com](http://www.siteco.com))  
Tolerances related to thermal, electrical and photometric data according to IEC 62722  
Issued 24.04.2026 - Modifications and errors subject to change - Ensure that you always use the latest version -