

Order No.: 5XA779629X02FB | GTIN (EAN): 4069025144089

Product description: FL11mxproRe,A33B001,166370lm757,DA2



Floodlight FL 11 maxi pro Remote floodlight; light control with lens of PMMA; cover panel of toughened safety glass, transparent; light distribution: A33B001, asymmetric direct distribution, rated values: 166.370lm | 1.560,6W | 106,6lm/W, colour temperature: 5700K, colour rendering: CRI > 70, light colour: 757, light setting 1 (further light settings possible): 100% | 166.370lm | 1.560,6W | 106,6lm/W | 5.700Kpre-setting: logarithmic dimming characteristic; brightness control: DALI 2; mains connection: 220..240V/380..400V AC, 50/60Hz, surge voltage resistance: line to ground: 10kV, electrical connection: terminal, 5-pole, max. 2.5mm<sup>2</sup>, solid wire, fine wire, ECG replaceable separately, LED unit replaceable without ESD environment, dustproof LED unit, dimming range 10..100%; floodlight with 3x LED unit of diecast aluminium, natural; length: 1.003mm / width: 651mm / height: 338mm; mounting bracket, of diecast aluminium, uncoated, natural, equipment: Power, protection rating (complete): IP66; insulation class (complete): insulation class I (protective earthing); certification: CE, ENEC, VDE; ball protection: ball impact resistant, only for outdoor installations in the designated locations, permissible operating ambient temperature: -45..+55°C, permissible storage temperature: -40..+85°Cpackaging unit: 1 piece



Lamps:	LED
Wt. (kg):	32.2
GTIN (EAN):	4069025144089



It is mandatory that the assembly instructions must be observed when planning and installing the electrical installation (to be found at [www.siteco.com](http://www.siteco.com))

Tolerances related to thermal, electrical and photometric data according to IEC 62722

Issued 20.03.2026 - Modifications and errors subject to change - Ensure that you always use the latest version -

Order No.: 5XA779629X02FB | GTIN (EAN): 4069025144089

Detailed technical description: FL11mxproRe,A33B001,166370lm757,DA2



### Key data

- Product type: floodlight
- Product name: Floodlight FL 11 maxi pro Remote
- Order No.: 5XA779629X02FB

### Lighting technology | Lamps | Control gear

#### Component 1

#### Lighting technology:

- Light control: lens of PMMA
- Cover: cover panel, transparent
- Light distribution: A33B001
- Symmetry: asymmetric distribution
- Light emission: direct distribution

#### Lamps:

- Lamps: with LED
- Rated values: 166370lm | 1560.6W | 106.6lm/W
- Colour temperature: 5700K
- Colour rendering index: CRI > 70
- Light colour: 757
- Supplement: LED service life up to 100,000h L90. Typical operating time: 1000h per year.

#### Factory light settings (LS):

- LS 1: 100% | 166370lm | 1560.6W | 106.6lm/W | 5700K
- further light settings possible

#### Operating device:

- Control: DALI 2
- Equipment: pre-setting: logarithmic dimming characteristic

#### Certificates, Standards

- Protection rating: IP66
- Insulation class: insulation class I (protective earthing)
- Temperature range (operation): -45..+55°C
- Supplement: only for outdoor installations in the designated locations
- Certification, designation: CE, ENEC, VDE

### Material, Colour

- LED unit: diecast aluminium, natural, with parrot-proof cable protection
- Quantity: 3 piece
- mounting bracket: diecast aluminium, uncoated, natural
- Cover: cover panel of toughened safety glass

### Mounting

- Mounting method, mounting location: surface-mounted, to supporting structure, to the ceiling, to the cross arm
- Arrangement: single arrangement
- Supplement: with mounting bracket

### Electrical connection

- Connection: terminal, 5-pole, max. 2.5mm<sup>2</sup>, solid wire, fine wire
- Nominal voltage: 220..240V/380..400V, 50/60Hz, AC
- Surge voltage resistance: line to ground: 10kV

### Dimensions, Weight

- Length: 1003mm
- Width: 651mm
- Height: 338mm
- Weight: 32.2kg
- Supplement: luminaire head with bracket: 24kg, ECG unit: 6.8kg

### Light emission

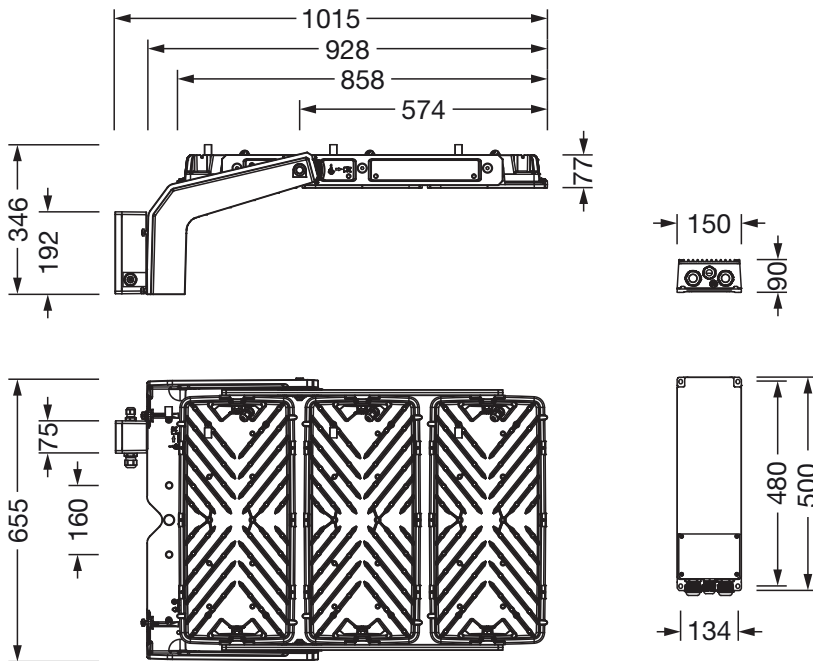
- Light emission: 0%

### Place of operation

- Suitable for: Australia, Croatia, Italy (south), Portugal, Serbia, Spain

Order No.: 5XA779629X02FB | GTIN (EAN): 4069025144089

Dimensions: FL11mxproRe,A33B001,166370lm757,DA2



It is mandatory that the assembly instructions must be observed when planning and installing the electrical installation (to be found at [www.siteco.com](http://www.siteco.com))

Tolerances related to thermal, electrical and photometric data according to IEC 62722

Issued 20.03.2026 - Modifications and errors subject to change - Ensure that you always use the latest version -