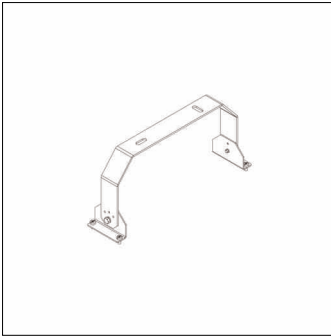


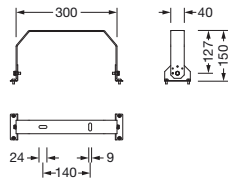
Order No.: 59HN92010 | GTIN (EAN): 4069025341754

Product description: HB11,ceil.m.adj,150mm,1pc



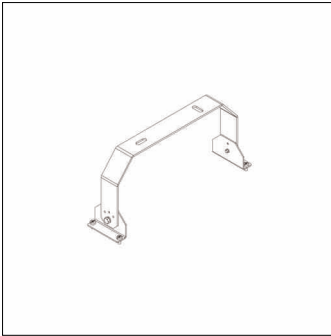
Highbay 11; ceiling mounting bracket, adjustable; stainless steel; for suspension height: 150mm; luminaire inclination adjustable at bracket in steps: 0° | +/-45°; packaging unit: 1 piece

Wt. (kg): 0.7
GTIN (EAN): 4069025341754



Order No.: 59HN92010 | GTIN (EAN): 4069025341754

Detailed technical description: HB11,ceil.m.adj,150mm,1pc



Key data

- Product type: ceiling mounting
- Product name: Highbay 11
- Order No.: 59HN92010

Material, Colour

- bracket: stainless steel

Mounting

- Recommended suspension height:
150mm

Dimensions, Weight

- Weight: 0.7kg

Order No.: 59HN92010 | GTIN (EAN): 4069025341754

Dimensions: HB11,ceil.m.adj,150mm,1pc

