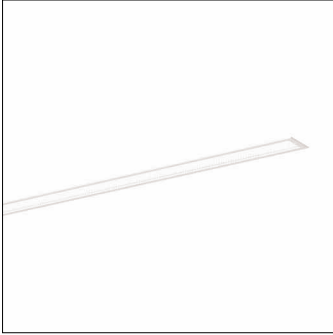


Order No.: 51MX13DL35WB | **GTIN (EAN):** 4069025000064

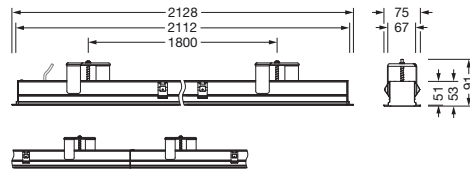
Product description: Sil21LP,ELD-P,5740lm830,DA2,L2128,wh,rec



Silica 21 Linear Prismatic, office luminaire, primary optical cover: prismatic diffuser, of PMMA, CAT 2 ($L \leq 3000 \text{cd/m}^2$), light emission: direct distribution, primary light characteristic: symmetric, installation type: recessed, LED, rated luminous flux: 5.740lm, luminous efficacy: 141lm/W, light colour: 830, colour temperature: 3000K, control gear: DALI 2, with terminal, 3+2-pole, max. 2.5mm², mains connection: 220..240V, AC, 50/60Hz, rated input power: 40.8W, luminaire housing, of aluminium, traffic white (RAL 9016), length: 2.128mm, width: 79mm, height: 53mm, protection rating (complete): IP20, insulation class (complete): insulation class I (protective earthing), certification: CE, ENEC, VDE, permissible operating ambient temperature: 0..+35°C, standard: EN 50419, packaging unit: 1 piece



Lamps:	LED
Wt. (kg):	4.8
GTIN (EAN):	4069025000064



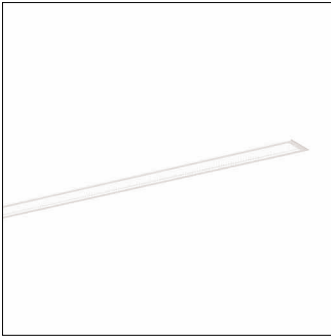
It is mandatory that the assembly instructions must be observed when planning and installing the electrical installation (to be found at www.siteco.com)

Tolerances related to thermal, electrical and photometric data according to IEC 62722

Issued 14.02.2026 - Modifications and errors subject to change - Ensure that you always use the latest version -

Order No.: 51MX13DL35WB | **GTIN (EAN):** 4069025000064

Detailed technical description: Sil21LP,ELD-P,5740lm830,DA2,L2128,wh,rec



Key data

- Product type: office luminaire
- Product name: Silica 21 Linear Prismatic
- Order No.: 51MX13DL35WB

Lighting technology | Lamps | Control gear

Component 1

Lighting technology:

- Cover: prismatic diffuser
- Beam angle: extremely wide distribution
- Symmetry: symmetric
- Light emission: direct distribution
- UGR viewing direction along longitudinal luminaire axis: ≤ 19
- UGR viewing direction along lateral luminaire axis: ≤ 19

Lamps:

- Lamps: with LED
- Rated luminous flux: 5740lm
- Luminous efficacy: 141lm/W
- Colour temperature: 3000K
- Colour rendering index: CRI > 80
- Light colour: 830
- SDCM (Standard Deviation of Colour Matching): MacAdam ≤ 3 SDCM (initial)
- Rated input power: 40.8W

Operating device:

- Control: DALI 2

Certificates, Standards

- Protection rating: IP20
- Insulation class: insulation class I (protective earthing)
- Temperature range (operation): 0..+35°C
- Standard: EN 50419
- Certification, designation: CE, ENEC, VDE

Material, Colour

- luminaire housing: aluminium, traffic white (RAL 9016)
- Cover: prismatic diffuser of PMMA

Mounting

- Mounting method, mounting location: recessed, in the ceiling
- Arrangement: single arrangement

Electrical connection

- Connection: terminal, 3+2-pole, max. 2.5mm²
- Nominal voltage: 220..240V, 50/60Hz, AC

Dimensions, Weight

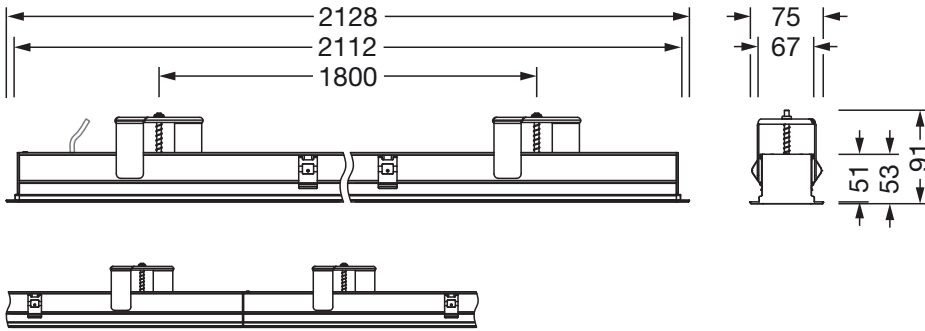
- Length: 2128mm
- Width: 79mm
- Height: 53mm
- Weight: 4.8kg

Service life

- Rated service life: 50000h (L85) at AT = 25°C, 70000h (L80) at AT = 25°C

Order No.: 51MX13DL35WB | GTIN (EAN): 4069025000064

Dimensions: SiI21LP,ELD-P,5740Im830,DA2,L2128,wh,rec



It is mandatory that the assembly instructions must be observed when planning and installing the electrical installation (to be found at www.siteco.com)
Tolerances related to thermal, electrical and photometric data according to IEC 62722
Issued 14.02.2026 - Modifications and errors subject to change - Ensure that you always use the latest version -