

Order No.: 51HN11DA4KDA01 | GTIN (EAN): 4069025413987

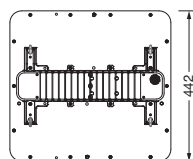
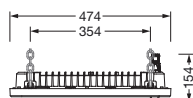
Product description: HB11md,nrrw,23000lm840,BTm,M-Sens



high bay luminaire Highbay 11 midi; direct symmetric narrow distribution, light control with lens of PMMA; $UGR \leq 22$ ($X = 4H$ | $Y = 8H$ | $S = 0.25H$ | reflection values 70/50/20); luminous flux: 23.000lm; light colour: 840, colour temperature: 4000K, MacAdam ≤ 2 SDCM (initial), colour rendering: CRI > 80; luminous efficacy: 195,4lm/W; rated service life: 100.000h (L95) at AT= 25°C; control: Bluetooth Mesh; for wireless networking: Node multi-sensor luminaire for setting up a local control solution without a higher-level application controller, intelligence completely integrated into the luminaire; with auto-swarm function: leading lighting creates safety. The function is already active without any „out-of-the-box“ commissioning; commissioning is not necessary thanks to „out-of-the-box“ functions: basic functions (presence lighting, follow-up times, fading times, etc.) are already preset at the factory; no control line such as DALI between the Node multi-sensor luminaires and Nodes is required, wireless integration of other Node luminaires and Node multi-sensor luminaires into the network is possible; number of Node multi-sensor luminaires in the project can be expanded as required, network sizes > 300 Nodes can be realized; can also be connected to lighting or building automation via various gateways upon request; integrated DALI2 ECG provides luminaire data (according to IEC62386, Part 251), energy data (Part 252), and monitoring and analytics data (Part 253) to higher-level systems for further processing; luminaire with PIR sensor (passive-infrared); with light sensor; luminaire connection: terminal, 5-pole, max. 2.5mm² (cable entry for one cable, \varnothing 8.5..16mm); mains connection: 230..240V, AC 50/60Hz; connected load: 117,7W; protection rating (complete): IP65; insulation class (complete): insulation class I (protective earthing); protection symbol: D; certification: CE, UKCA; internal wiring halogen-free; luminaire LABS conformity tested according to VDMA 24364:2018-05; Suitable for use in the food industry according to the specifications of IFS-Food, HACCP and/or BRC; housing frame of high-performance plastic PA6, matt traffic white (RAL 9016); cover of PMMA; dimension (LxWxH): 474 x 442 x 72mm; permissible operating ambient temperature: -20..+40°C (reducing of maximum allowable ambient temperature of 5°C with ceiling mounting); packaging unit: 1 piece; (delivery without accessories; please order mounting accessories separately)

IP 65

Lamps:	LED
Wt. (kg):	3.7
GTIN (EAN):	4069025413987



It is mandatory that the assembly instructions must be observed when planning and installing the electrical installation (to be found at www.siteco.com)

Tolerances related to thermal, electrical and photometric data according to IEC 62722

Issued 20.03.2026 - Modifications and errors subject to change - Ensure that you always use the latest version -

Order No.: 51HN11DA4KDA01 | GTIN (EAN): 4069025413987

Detailed technical description: HB11md,nrrw,23000lm840,BTm,M-Sens



Key data

- System family: SITECO Connect 11H Wireless
- Product type: high bay luminaire
- Product name: Highbay 11 midi
- Order No.: 51HN11DA4KDA01

Lighting technology | Lamps | Control gear

Component 1

Lighting technology:

- Light control: lens of PMMA
- Cover: cover
- Beam angle: narrow distribution
- Symmetry: symmetric
- Light emission: direct distribution
- UGR viewing direction along longitudinal luminaire axis: ≤ 22
- UGR viewing direction along lateral luminaire axis: ≤ 22

Lamps:

- Lamps: with LED
- Rated luminous flux: 23000lm
- Luminous efficacy: 195lm/W
- Colour temperature: 4000K
- Colour rendering index: CRI > 80
- Light colour: 840
- SDCM (Standard Deviation of Colour Matching): MacAdam ≤ 2 SDCM (initial)
- Rated input power: 117.7W
- Supplement: internal wiring halogen-free

Operating device:

- Control: Bluetooth Mesh, dimmable

Certificates, Standards

- Protection rating: IP65
- Insulation class: insulation class I (protective earthing)
- Protection symbol: D
- Temperature range (operation): -20..+40°C
- Supplement: LABS conformity tested according to VDMA 24364:2018-05, Suitable for use in the food industry according to the specifications of IFS-Food, HACCP and/or BRC
- Certification, designation: CE, UKCA

Material, Colour

- housing frame: high-performance plastic PA6, matt traffic white (RAL 9016)
- Cover: cover of PMMA

Mounting

- Mounting method, mounting location: suspended mounting, surface-mounted, to wire, to the ceiling, to the chain
- Mounting height: 5..17m
- Arrangement: single arrangement

Electrical connection

- Connection: terminal, 5-pole, max. 2.5mm²
- Nominal voltage: 230..240V, 50/60Hz, AC

Dimensions, Weight

- Length: 474mm
- Width: 442mm
- Height: 72mm
- Weight: 3.7kg

Service life

- Rated service life: 100000h (L95) at AT = 25°C, 100000h (L90) at AT = ta max

Inputs

PIR sensor (passive-infrared)

- Connection: motion sensor technology
- Detection angle: 360°
- Detection range: at mounting height (Mh) = 15m: tangential max. $\varnothing 21m$ | at Mh = 7.5m: tangential max. $\varnothing 10.5m$
- Feature: circular detection area

light sensor

- Connection: daylight sensor technology
- Detection angle: 60°
- Detection range: measuring range on the ground at mounting height (Mh) = 5m: \varnothing approx. 5.6m | at Mh = 6m: \varnothing approx. 6.8m
- Illuminance: 5..5000lx (measured at sensor)

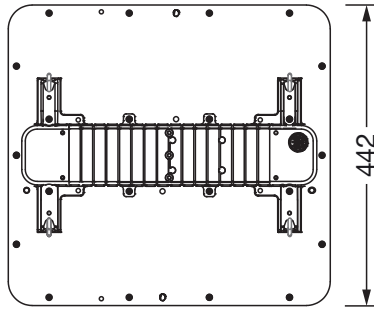
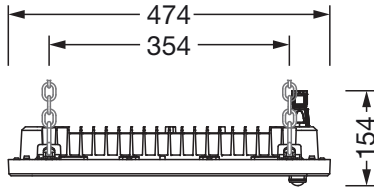
Outputs

Bluetooth Node (2.4GHz)

- Feature: wireless networking

Order No.: 51HN11DA4KDA01 | GTIN (EAN): 4069025413987

Dimensions: HB11md, nrrw, 23000lm840, BTm, M-Sens



It is mandatory that the assembly instructions must be observed when planning and installing the electrical installation (to be found at www.siteco.com)

Tolerances related to thermal, electrical and photometric data according to IEC 62722

Issued 20.03.2026 - Modifications and errors subject to change - Ensure that you always use the latest version -