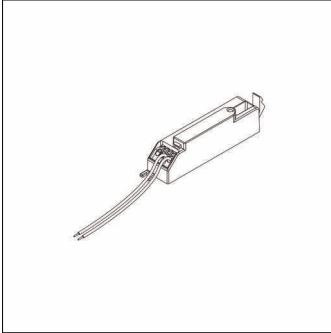


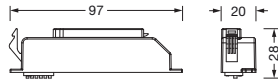
Order No.: 59FD91001 | GTIN (EAN): 4069025528384

Product description: Mon31 multisens,PIR-sens,rec



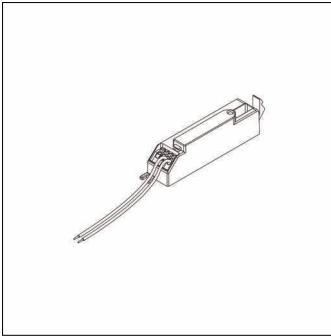
Monsun 31, multi-sensor, installation type: recessed, sensor module, multi-sensor, HF sensor, packaging unit: 1 piece

Wt. (kg): 0.1
GTIN (EAN): 4069025528384



Order No.: 59FD91001 | GTIN (EAN): 4069025528384

Detailed technical description: Mon31multisens,PIR-sens,rec



Key data

- Product type: multi-sensor
- Product name: Monsun 31
- Order No.: 59FD91001

Mounting

- Mounting method, mounting location: recessed, in the luminaire housing
- Supplement: only suitable for use in indoor areas

Dimensions, Weight

- Weight: 0.1kg

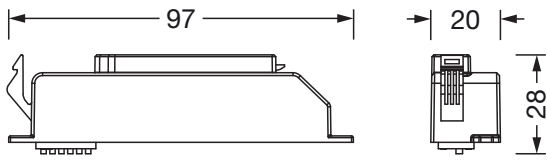
Inputs

1x PIR movement sensor

- Feature: for motion detection, circular detection area

Order No.: 59FD91001 | GTIN (EAN): 4069025528384

Dimensions: Mon31multisens,PIR-sens,rec



It is mandatory that the assembly instructions must be observed when planning and installing the electrical installation (to be found at www.siteco.com)

Tolerances related to thermal, electrical and photometric data according to IEC 62722

Issued 23.05.2026 - Modifications and errors subject to change - Ensure that you always use the latest version -