

**Order No.:** 51SL14DB11A2C | **GTIN (EAN):** 4069025502469

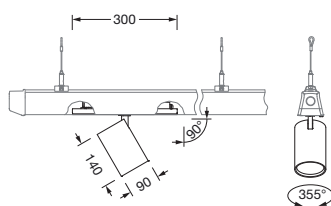
**Product description:** LicSp21,wd,2710lm927,DA2ML,wh



Licross Spot 21, directional spotlight, light control with reflector, of aluminium, optical cover: cover panel, of glass, beam angle: wide distribution, LED rated luminous flux: 2.710lm, light colour: 927, with plug, 5-pole, with phase selection, mains connection: 220..240V, AC, 50/60Hz, of aluminium, traffic white (RAL 9016), length: 300mm, diameter: 90mm, decorative ring, of PC, traffic white (RAL 9016), protection rating (complete): IP20, insulation class (complete): insulation class II (safety insulation), certification: CE, impact resistance: IK02, permissible ambient temperature for indoor applications: -20..+25°C, packaging unit: 1 piece

IP 20  

Lamps:	LED
Wt. (kg):	0.8
GTIN (EAN):	4069025502469



It is mandatory that the assembly instructions must be observed when planning and installing the electrical installation (to be found at [www.siteco.com](http://www.siteco.com))

Tolerances related to thermal, electrical and photometric data according to IEC 62722

Issued 27.02.2026 - Modifications and errors subject to change - Ensure that you always use the latest version -

**Order No.:** 51SL14DB11A2C | **GTIN (EAN):** 4069025502469

**Detailed technical description:** LicSp21,wd,2710lm927,DA2ML,wh



#### Key data

- Product type: directional spotlight
- Product name: Licross Spot 21
- Order No.: 51SL14DB11A2C

#### Lighting technology | Lamps | Control gear

##### Component 1

#### Lighting technology:

- Light control: reflector of aluminium
- Cover: cover panel
- Beam angle: wide distribution
- Symmetry: symmetric

#### Lamps:

- Lamps: with LED
- Rated luminous flux: 2710lm
- Luminous efficacy: 137lm/W
- Colour temperature: 2700K
- Colour rendering index: CRI > 90
- Light colour: 927
- SDCM (Standard Deviation of Colour Matching): MacAdam  $\leq$  2 SDCM (initial)
- Rated input power: 19.8W
- Supplement: luminous flux adjustable on luminaire in 12 steps (850/.../3650lm), connected load according to luminous flux setting (6/.../28.1W)

#### Operating device:

- Control: DALI 2, Multilumen

#### Certificates, Standards

- Protection rating: IP20
- Insulation class: insulation class II (safety insulation)
- Impact resistance: IK02
- Temperature range (operation): -20...+25°C
- Certification, designation: CE

#### Material, Colour

- decorative ring: PC, traffic white (RAL 9016)
- Cover: cover panel of glass

#### Mounting

- Mounting method, mounting location: slip-in mounting, in the Licross trunking rail

#### Electrical connection

- Connection: plug, 5-pole, with phase selection
- Nominal voltage: 220...240V, 50/60Hz, AC

#### Dimensions, Weight

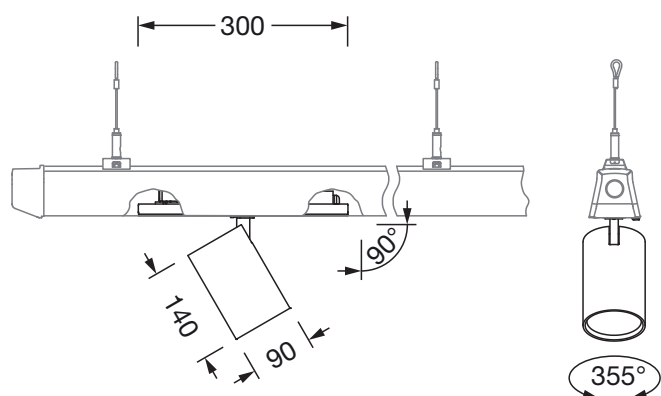
- Length: 300mm
- Diameter: 90mm
- Weight: 0.8kg

#### Service life

- Rated service life: 50000h (L90/B10) at AT = 25°C

Order No.: 51SL14DB11A2C | GTIN (EAN): 4069025502469

Dimensions: LicSp21,wd,2710lm927,DA2ML,wh



It is mandatory that the assembly instructions must be observed when planning and installing the electrical installation (to be found at [www.siteco.com](http://www.siteco.com))

Tolerances related to thermal, electrical and photometric data according to IEC 62722

Issued 27.02.2026 - Modifications and errors subject to change - Ensure that you always use the latest version -