

Order No.: 51HN12DA4EBA | **GTIN (EAN):** 4069025446589

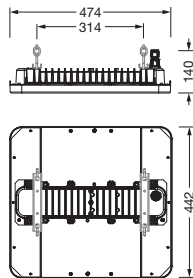
Product description: HB11md,wd,10000lm840,DA2,bir



high bay luminaire Highbay 11 midi; direct symmetric wide distribution, light control with lens of PMMA; UGR ≤ 22 (X = 4H | Y = 8H | S = 0.25H | reflection values 70/50/20); luminous flux: 10.000lm; light colour: 840, colour temperature: 4000K, MacAdam ≤ 2 SDCM (initial), colour rendering: CRI > 80; luminous efficacy: 209,6lm/W; rated service life: 100.000h (L95) at AT= 25°C; control: DALI 2; luminaire connection: terminal, 5-pole, max. 2.5mm² (cable entry for one cable, \varnothing 8.5..16mm); mains connection: 230..240V, AC/DC 0/50..60Hz; connected load: 47,7W; protection rating (complete): IP40; insulation class (complete): insulation class I (protective earthing); protection symbol: D; impact resistance: IK08; certification: CE, ENEC, VDE, UKCA; luminaire for central battery installations according to EN 60598-2-22, internal wiring halogen-free; luminaire ball impact resistant only with use of appropriate mounting accessories; LABS conformity tested according to VDMA 24364:2018-05; corresponds to IFS (International Featured Standards) requirements for safety and quality in the food industry; Suitable for use in the food industry according to the specifications of IFS-Food, HACCP and/or BRC; housing frame of high-performance plastic PA6, matt traffic white (RAL 9016); cover of PMMA; dimension (LxWxH): 474 x 442 x 72mm; permissible operating ambient temperature: -40..+65°C (reducing of maximum allowable ambient temperature of 5°C with ceiling mounting); packaging unit: 1 piece; (delivery without accessories; please order mounting accessories separately)



Lamps:	LED
Wt. (kg):	3.7
GTIN (EAN):	4069025446589



Order No.: 51HN12DA4EBA | GTIN (EAN): 4069025446589

Detailed technical description: HB11md,wd,10000lm840,DA2,bir



Key data

- Product type: high bay luminaire
- Product name: Highbay 11 midi
- Order No.: 51HN12DA4EBA

Lighting technology | Lamps | Control gear

Component 1

Lighting technology:

- Light control: lens of PMMA
- Cover: cover
- Beam angle: wide distribution
- Symmetry: symmetric
- Light emission: direct distribution
- UGR viewing direction along longitudinal luminaire axis: ≤ 22
- UGR viewing direction along lateral luminaire axis: ≤ 22

Lamps:

- Lamps: with LED
- Rated luminous flux: 10000lm
- Luminous efficacy: 210lm/W
- Colour temperature: 4000K
- Colour rendering index: CRI > 80
- Light colour: 840
- SDCM (Standard Deviation of Colour Matching): MacAdam ≤ 2 SDCM (initial)
- Rated input power: 47.7W
- Supplement: internal wiring halogen-free

Operating device:

- Switching method: for central battery installations according to EN 60598-2-22

Component 2

Certificates, Standards

- Protection rating: IP40
- Insulation class: insulation class I (protective earthing)
- Impact resistance: IK08
- Protection symbol: D
- Temperature range (operation): -40..+65°C
- Supplement: corresponds to IFS (International Featured Standards) requirements for safety and quality in the food industry, LABS conformity tested according to VDMA 24364:2018-05, ball impact resistant only with use of appropriate mounting accessories, Suitable for use in the food industry according to the specifications of IFS-Food, HACCP and/or BRC
- Standard: EN 60598-2-22
- Certification, designation: CE, ENEC, VDE, UKCA

Material, Colour

- housing frame: high-performance plastic PA6, matt traffic white (RAL 9016)
- Cover: cover of PMMA

Mounting

- Mounting method, mounting location: suspended mounting, surface-mounted, to wire, to the ceiling, to the wall, to the chain
- Arrangement: single arrangement

Electrical connection

- Connection: terminal, 5-pole, max. 2.5mm²
- Nominal voltage: 230..240V, 0/50..60Hz, AC/DC

Dimensions, Weight

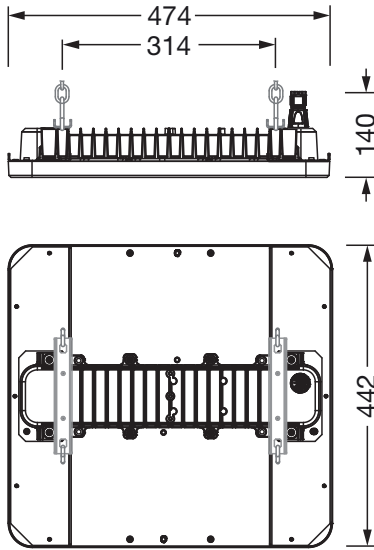
- Length: 474mm
- Width: 442mm
- Height: 72mm
- Weight: 3.7kg

Service life

- Rated service life: 100000h (L95) at AT = 25°C, 100000h (L90) at AT = ta max

Order No.: 51HN12DA4EBA | GTIN (EAN): 4069025446589

Dimensions: HB11md,wd,10000lm840,DA2,bir



It is mandatory that the assembly instructions must be observed when planning and installing the electrical installation (to be found at www.siteco.com)

Tolerances related to thermal, electrical and photometric data according to IEC 62722

Issued 20.03.2026 - Modifications and errors subject to change - Ensure that you always use the latest version -