

Order No.: 5XD1A4B491A | GTIN (EAN): 4058352247297

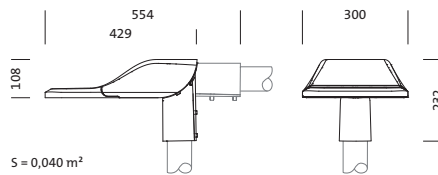
Product description: SL40mc,ST0.8a,2000lm740,Plus,sr



Streetlight 40 micro, mast luminaire, primary light control with lens, of PMMA, primary optical cover: cover, of toughened safety glass, transparent, light distribution: ST0.8a, light emission: direct distribution, primary light characteristic: asymmetric, installation type: side-entry, post-top, LED High Power LED, rated luminous flux: 2.000 lm, light colour: 740, colour temperature: 4000K, control gear: ECG Plus, control: time-dependent luminous flux control, mains connection: 220..240V, AC, 50/60Hz, rated input power: 17W, luminaire housing, of diecast aluminium, powder-coated, metallic grey (RAL 9006), length: 442 mm, width: 300 mm, height: 108mm, spigot size: d x l = 60 x 100mm (side-entry and post-top); for masts with spigot size Ø76mm: mast adapter 76/60mm contained in delivery; for masts/brackets with spigot size Ø42mm: please order reducing sleeve 60/42mm separately (accessory: EAN 4050737723211), protection rating (complete): IP66, insulation class (complete): insulation class II (safety insulation), certification: CE, impact resistance: IK08, permissible ambient temperature for outdoor applications: -30..+50°C, standard-compliant lighting for roads and squares, packaging unit: 1 piece

IP 66 IK 08  

Lamps:	LED
Wt. (kg):	5.9
GTIN (EAN):	4058352247297



Order No.: 5XD1A4B491A | **GTIN (EAN):** 4058352247297

Detailed technical description: SL40mc,ST0.8a,2000lm740,Plus,sr



Key data

- Product type: mast luminaire
- Product name: Streetlight 40 micro
- Order No.: 5XD1A4B491A

Lighting technology | Lamps | Control gear

Component 1

Lighting technology:

- Light control: lens of PMMA
- Cover: cover, transparent
- Light distribution: ST0.8a
- Beam angle: wide distribution
- Symmetry: asymmetric distribution
- Light emission: direct distribution

Lamps:

- Lamps: with High Power LED, LED
- Rated luminous flux: 2000lm
- Luminous efficacy: 118lm/W
- Colour temperature: 4000K
- Colour rendering index: CRI > 70
- Light colour: 740
- SDCM (Standard Deviation of Colour Matching): MacAdam ≤ 5 SDCM (initial)
- Rated input power: 17W

Operating device:

- Control gear: ECG Plus
- Control: Plus
- Equipment: time-dependent luminous flux control

Certificates, Standards

- Protection rating: IP66
- Insulation class: insulation class II (safety insulation)
- Impact resistance: IK08
- Temperature range (operation): -30..+50°C
- Supplement: standard-compliant lighting for roads and squares
- Certification, designation: CE

Material, Colour

- luminaire housing: diecast aluminium, powder-coated, metallic grey (RAL 9006), inclination adjustable: 0°, 5°, 10°, 15° (post-top) | 0°, -5°, -10°, -15°, -20° (side-entry), inclusive mast flange
- Colour specification: metallic grey (RAL 9006)
- Cover: cover of toughened safety glass

Mounting

- Mounting method, mounting location: side-entry, post-top, on mast

Electrical connection

- Nominal voltage: 220..240V, 50/60Hz, AC
- Surge voltage resistance: 10kV 1.2/50µs

Dimensions, Weight

- Length: 442mm
- Width: 300mm
- Height: 108mm
- Weight: 5.9kg
- Mast spigot: spigot size: d x l = 60 x 100mm (side-entry and post-top); for masts with spigot size Ø76mm: mast adapter 76/60mm contained in delivery; for masts/brackets with spigot size Ø42mm: please order reducing sleeve 60/42mm separately (accessory: EAN 4050737723211)

Light emission

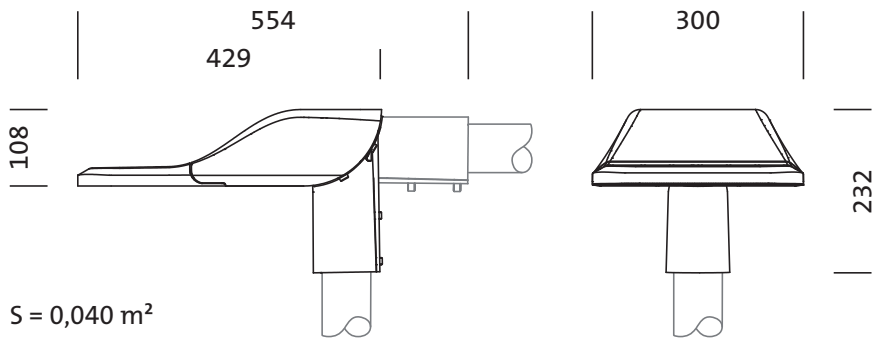
- Light emission: 0% at 0° inclination

Service life

- Rated service life: 100000h (L95/B10) at AT = 25°C

Order No.: 5XD1A4B491A | GTIN (EAN): 4058352247297

Dimensions: SL40mc,ST0.8a,2000lm740,Plus,sr



Order No.: 5XD1A4B491A | GTIN (EAN): 4058352247297

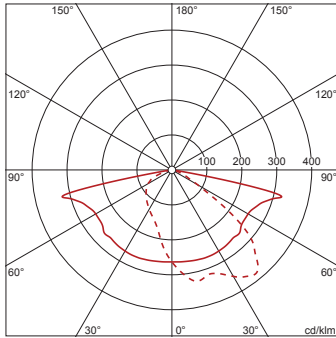
Planning data: SL40mc,ST0.8a,2000lm740,Plus,sr

5XD1A4B491A: 1x LED

4058352247297

5XD1A4B491A

LED 4000 K | CRI \geq 70 ϕ_{N} 2000 lm



— C 0/180 - - - C 90/270

Luminous intensity class according to
EN13201-2: G2