

Order No.: 59US1HXSPR2A | GTIN (EAN): 4058352361979

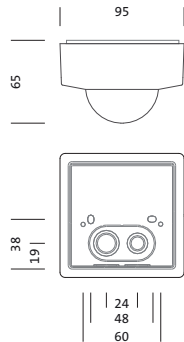
Product description: LicrSensHd,SensHdPR2S,lokCtrlcentCtrl



Licross® Sensor Head, Sensor-Head PR2-S, slave,local controlcentral controlinstallation type: slip-in mounting, installation location: on interface, of plastic, certification: CE, VDE, 1 x PIR movement sensor, 1 x light sensor, packaging unit: 1 piece



Wt. (kg): 0.1
GTIN (EAN): 4058352361979



Order No.: 59US1HXSPR2A | GTIN (EAN): 4058352361979

Detailed technical description: LicrSensHd,SensHdPR2S,lokCtrlcentCtrl



Key data

- System family: Siteco Connect 11, SITECO Connect I/O, DALI-2
- Product type: sensor
- Product name: Licross® Sensor Head
- Order No.: 59US1HXSPR2A

Lighting technology | Lamps | Control gear

Component 1

Operating device:

- Control: DALI-2

Certificates, Standards

- Temperature range (operation): - 20..+50°C
- Certification, designation: CE, VDE

Material, Colour

- housing: plastic, white
- Colour specification: white

Mounting

- Mounting method, mounting location: slip-in mounting, on interface
- Mounting height: 4..14m

Dimensions, Weight

- Length: 95mm
- Width: 95mm
- Height: 65mm
- Weight: 0.1kg

Inputs

1x PIR movement sensor

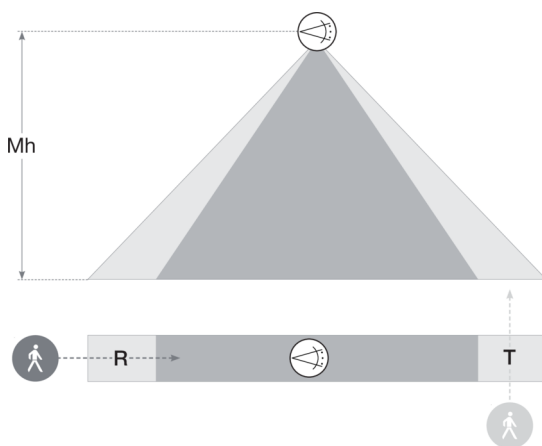
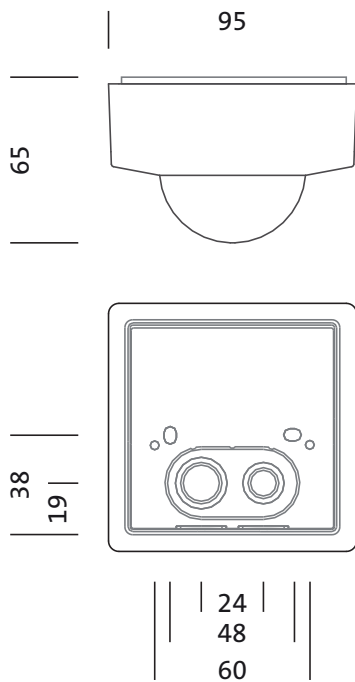
- Connection: system connector
- Detection range: max. 30x4m
- Option: 5 detection levels, 120 switching zones
- Feature: detection range can be limited with shield, rectangular detection area

1x light sensor

- Feature: light sensor with 'local control' without function

Order No.: 59US1HXSPR2A | GTIN (EAN): 4058352361979

Dimensions: LicrSensHd,SensHdPR2S,lokCtrlcentCtrl



Sensor Head PR2

Mh	R	T
14m	30 x 4m	30 x 4m
12m	30 x 4m	30 x 4m
10m	25 x 4m	25 x 4m
8m	20 x 4m	20 x 4m
6m	15 x 4m	15 x 4m
4m	10 x 4m	10 x 4m

It is mandatory that the assembly instructions must be observed when planning and installing the electrical installation (to be found at www.siteco.com)
 Issued 14.03.2021 - Modifications and errors subject to change - Ensure that you always use the latest version -