

siteco



• High visual comfort and visibility due to uniform illumination of areas thanks to asymmetric light distribution

• Flexible, energy-efficient lighting solution for a variety of applications certified with quality seal (ENEC)

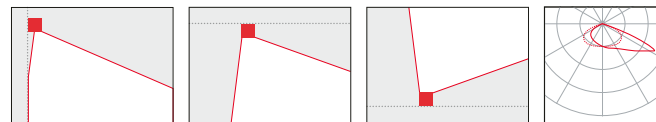
SiCompact®

Reliable light.

SiCompact®

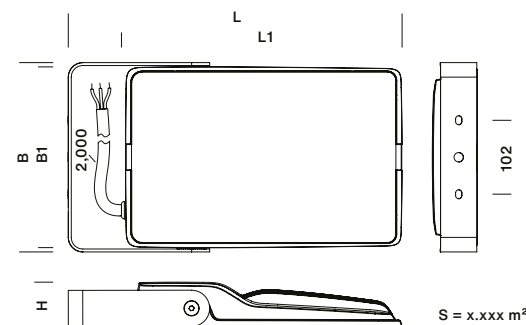
Industrial style meets state-of-the-art technology.

- Simple, quick installation with mounting bracket and pre-mounted connection cable
- Efficient operation with up to 120 lm / W and asymmetric light distribution
- Highly flexible for all applications with three sizes and luminous flux between 4,000 and 23,800 lm
- Robust housing and ESD-protected LED module, dustproof and high tested vibration stability with 250,000 strikes



Technical product information

Colour temperature	4,000 K
Rated luminous flux	4,000 lm, 7,700 lm, 15,200 lm, 23,800 lm
Luminous efficacy	114 lm / W, 117 lm / W, 118 lm / W, 119 lm / W
Colour rendering index	CRI > 70
Rated input power	35 W, 65 W, 130W, 200 W
Beam angle	asymmetric distribution (PL32)
Control	ON / OFF
Protection rating	IP66
Protection class	I
Impact resistance	IK08
Temperature range	-30 ... +35° C
Rated service life	60,000 h (L70 / B50)
Recommended mounting height	from 2.5 to 10.0 m
Mounting location	wall, ceiling, floor, podium



	L	B	H	L1	B1	S
5XA756...	330	159	47	259	151	0.015
5XA757...	461	261	62	387	250	0.028
5XA758...	560	333	62	446	320	0.034

SiCOMPACT®	Order number		
micro	4,000 lm	ON / OFF	5XA7561A2K22
mini	7,700 lm	ON / OFF	5XA7571B2K22
	15,200 lm	ON / OFF	5XA7571C2K22
midi	23,800 lm	ON / OFF	5XA7581D2K22

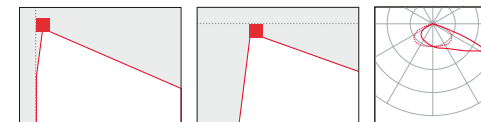
SiCOMPACT® - Accessories	Order number	
System connector, 3 x 2.5 ²	1 pc.	5NX30003

Luminaire incl. connection cable (l=2,000 mm) with free wire ends; crossbars for mounting floodlights on standard masts can be found in the electronic catalog on our website (www.siteco.com).

SiCompact® maxi

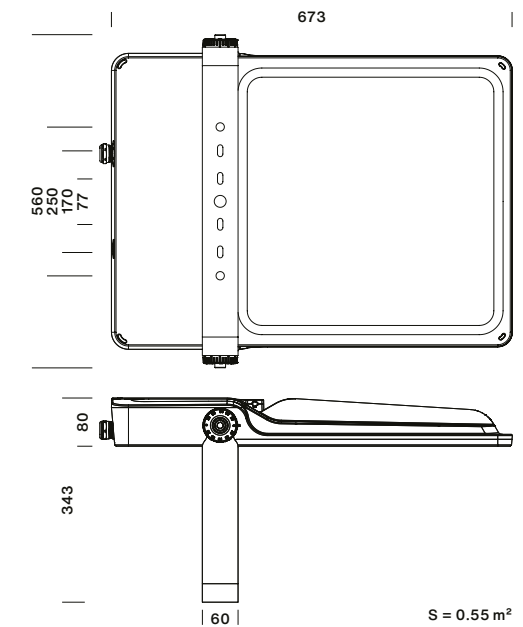
The new high performer.

- Simple, quick installation thanks to a mounting bracket and connection inside the housing
- Efficient operation with up to 143 lm / W and asymmetric light distribution
- Future-proof with replaceable ECG
- Connection to control systems via DALI



Technical product information

Colour temperature	3,000 K, 4,000 K
Rated luminous flux	65,000 lm, 70,000 lm
Luminous efficacy	133 lm / W, 143 lm / W
Colour rendering index	CRI > 70
Rated input power	490 W
Beam angle	asymmetric distribution (PL32)
Control	ON / OFF, DALI
Protection rating	IP66
Protection class	I
Impact resistance	IK08
Temperature range	-30 ... +35° C
Rated service life	100,000 h (L80 / B50)
Recommended mounting height	from 10 m
Mounting location	wall, ceiling



SiCOMPACT®	Order number	
maxi 3.000 K	65,000 lm	5XA7592E1K22
maxi 4.000 K	70,000 lm	5XA7592E2K22



Project: The Port of Pietarsaari, Finland

Product: SiCompact®

Contact.

Siteco GmbH

Georg-Simon-Ohm-Str. 50
83301 Traunreut, Germany
Tel. +49 8669 330
info@siteco.com

siteco.com

Technical support

Tel. +49 8669 338 44
technicalsupport@siteco.com