



### At a glance

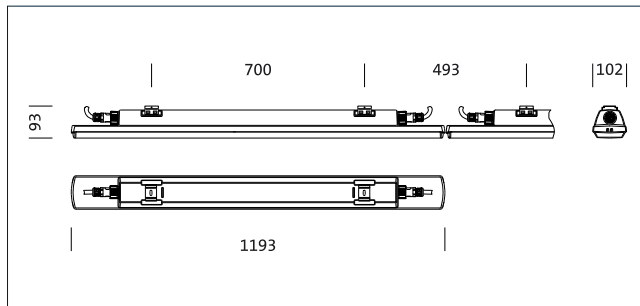
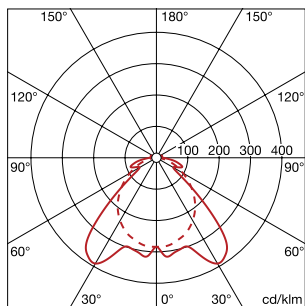
- System efficiency up to 158 lm/W
- Lumen levels up to 7200 lm
- For ambient temperatures from -35° C to +55° C (according to version)
- Long 70,000h service life @ UT max (L80/B50)
- Wide or narrow light distribution

# Monsun<sup>®</sup> 2 LED

Always tough, but now with even more light output and efficiency: the damp-proof luminaire for demanding surroundings.

[www.siteco.com](http://www.siteco.com)

siteco



**Performance down to the last detail**

Where others reach their limits, the Monsun® 2 LED approaches best performance. Ideal applications are humid surroundings, areas with industrial production, canopied outdoor areas, parking garages and warehouses. Luminaires with lumen levels from 5200 lm to 7200 lm now round off the range – with simultaneously improved efficiency of up to 158 lm/W. The new, higher power ratings of course feature the familiar levels of flexibility in use. With two covers, two beam characteristics, on/off and DALI ECG and optional through-wiring.

- Jet water protection and dust-proof (IP66)
- Can be used from -35° C (on/off) and from -25° C (DALI)
- 50,000 hrs service life at +45° C (6000/7000 lm, L85/B50)\*
- 50,000 hrs service life at +50° C (5000 lm, L85/B50)\*
- Suitable for the food industry in accordance with IFS (with PC cover)
- Halogen-free wiring

\*70,000 hrs service life at  $UT_{max}$  (L80/B50), according to TM21



**Siteco GmbH**  
 Georg-Simon-Ohm-Straße 50  
 83301 Traunreut, Germany  
 Tel +49 8669 33-0  
 Fax +49 8669 33-397

**Customer Service**  
 Tel +49 8669 33-844

www.siteco.com

