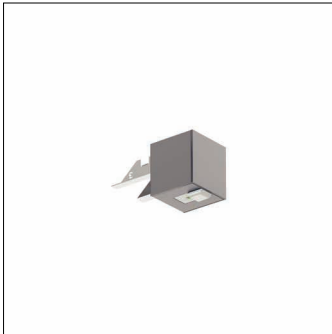


Order No.: 59MX1BW000SA | GTIN (EAN): 4058352608753

Product description: Sil21,SensMoPR3S,lokCtrl,PIR-sens



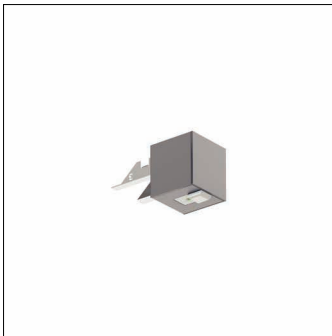
Silica® 21, sensor module PR3-S, slave,local controlinstallation type: slip-in mounting, installation location: to the luminaire, of extruded aluminium section, protection rating (complete): IP20, insulation class (complete): insulation class I (protective earthing), certification: CE, 1 x PIR movement sensor, 1 x light sensor, packaging unit: 1 piece

IP 20  

Wt. (kg): 999.0  
GTIN (EAN): 4058352608753

Order No.: 59MX1BW000SA | GTIN (EAN): 4058352608753

Detailed technical description: Sil21,SensMoPR3S,IokCtrl,PIR-sens



#### Key data

- System family: SITECO Connect Wireless
- Product type: lighting management components
- Product name: Silica® 21
- Order No.: 59MX1BW000SA

#### Lighting technology | Lamps | Control gear

#### Component 1

##### Operating device:

- Control: Bluetooth® mesh 4.2

##### Certificates, Standards

- Protection rating: IP20
- Insulation class: insulation class I (protective earthing)
- Temperature range (operation): 0..+40°C
- Certification, designation: CE

##### Material, Colour

- housing: extruded aluminium section, anodised, metallic grey (RAL 9006)
- Colour specification: metallic grey (RAL 9006)

##### Mounting

- Mounting method, mounting location: slip-in mounting, to the luminaire
- Mounting height: 2.5..5m
- Supplement: for recessed luminaires

##### Dimensions, Weight

- Width: 77mm
- Height: 55mm
- Weight: 999.0kg

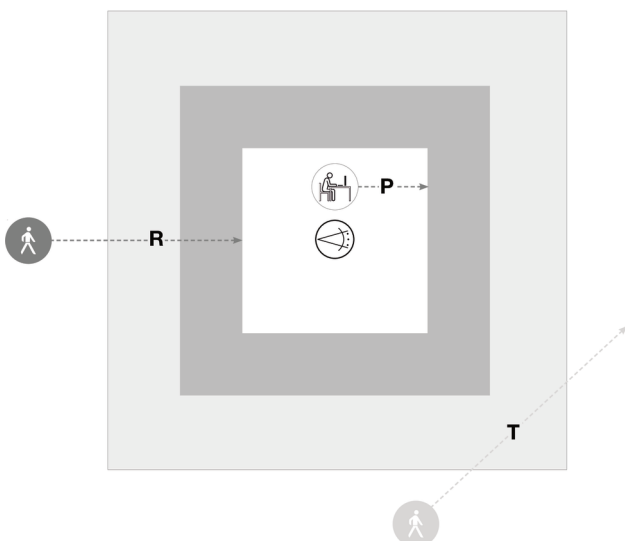
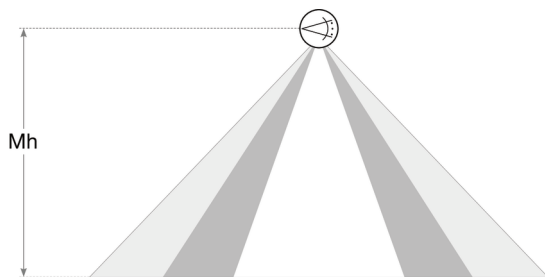
##### Inputs

##### 1x PIR movement sensor

- Connection: PIR sensor (passive-infrared)

Order No.: 59MX1BW000SA | GTIN (EAN): 4058352608753

Dimensions: Sil21,SensMoPR3S,lokCtrl,PIR-sens



### Sensor PR3

Mh	R	T	P
2,5m	ca. 3x3m	ca. 4x5m	ca. 2x2m
3,5m	ca. 4x4m	ca. 5x6m	ca. 3x3m

It is mandatory that the assembly instructions must be observed when planning and installing the electrical installation (to be found at [www.siteco.de](http://www.siteco.de))  
 Issued 20.03.2022 - Modifications and errors subject to change - Ensure that you always use the latest version -