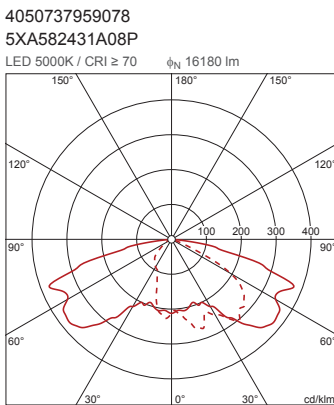


Order No. OSRAM: 4050737959078 | Order No. Siteco: 5XA582431A08P

Product description: SL10md,ST1.2P1.0,LED16180lm750,Basic



Streetlight 10 midi LED, mast luminaire, primary light control with 3 zone faceted reflector, of plastic, silver coated, primary optical cover: cover, of PMMA, transparent, light distribution: ST1.2P1.0, light emission: direct distribution, primary light characteristic: asymmetric, installation type: post-top, side-entry, LED, LED High Power, rated luminous flux: 16.180lm, luminous efficacy: 109lm/W, light colour: 750, colour temperature: 5000K, control gear: ECG Basic, control: overheat protection, power reduction, electronic power reduction, with terminal, 5-pole, max. 2.5mm², mains connection: 220..240V, AC, 50/60Hz, start of lifetime: 149W, end of lifetime: 149W, reduction: 64W, luminaire housing, of diecast aluminium, powder-coated, Siteco® metallic grey (DB 702S), length: 800mm, width: 387mm, height: 168mm, spigot size: 60/76mm (post-top) and 42/60mm (side-entry), mast flange for spigot size: 42mm: 5XA58100XM4, 60mm: 5XA58100XM2, 76mm: 5XA58100XM1, protection rating (complete): IP66, insulation class (complete): insulation class II (safety insulation), certification: CE, ENEC, VDE, permissible operating ambient temperature for outdoor applications: -25..+50°C, standard-compliant lighting for roads and squares, packaging unit: 1 piece



Lamps: LED
Wt. (kg): 11.4
GTIN (EAN): 4050737959078

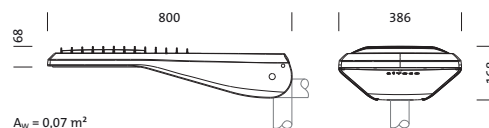
siteco AN OSRAM BUSINESS 5XA582431A08P

The luminaire contains built-in LED lamps

LED

The LED-lamps cannot be changed in the luminaire

874/2012



Order No. OSRAM: 4050737959078 | Order No. Siteco: 5XA582431A08P

Detailed technical description: SL10md,ST1.2P1.0,LED16180lm750,Basic



Key data

- Product type: mast luminaire
- Family: Streetlight 10 midi LED
- Order No.: 5XA582431A08P

Lighting technology | Lamps | Control gear

Component 1

Lighting technology:

- Light control: 3 zone faceted reflector of plastic, silver coated
- Cover: cover, transparent
- Light distribution: ST1.2P1.0
- Beam angle: wide distribution with rear light component
- Symmetry: asymmetric distribution
- Light emission: direct distribution

Lamps:

- Lamps: with LED High Power, LED
- Rated luminous flux: 16180lm
- Luminous efficacy: 109lm/W
- Colour temperature: 5000K
- Colour rendering index: CRI > 70
- Light colour: 750
- Rated input power begin service life: 149
- Rated input power end service life: 149
- Rated input power at 50% lumin. flux: 64

Operating device:

- Control gear: ECG Basic
- Control: Basic
- Equipment: overheat protection, power reduction
- Switching method: electronic power reduction

Material | Colour

- luminaire housing: diecast aluminium, powder-coated, Siteco® metallic grey (DB 702S), please order mast flange separately, inclination adjustable at 0°, 5°, 10°, 15°
- Cover: cover of PMMA

Mounting

- Mounting method, mounting location: side-entry, post-top, on mast

Electrical connection

- Connection: terminal, 5-pole, max. 2.5mm²
- Nominal voltage: 220..240V, AC, 50/60Hz
- Surge voltage resistance: 6kV 1.2/50µs

Dimensions | Weight

- Length: 800mm
- Width: 387mm
- Height: 168mm
- Mast head: spigot size: 60/76mm (post-top) and 42/60mm (side-entry), mast flange for spigot size: 42mm: 5XA58100XM4, 60mm: 5XA58100XM2, 76mm: 5XA58100XM1
- Weight: 11.4kg

Certificates | Standards

- Protection rating: IP66
- Insulation class: insulation class II (safety insulation)
- Supplement: standard-compliant lighting for roads and squares
- Certification, designation: CE, ENEC, VDE

Light emission

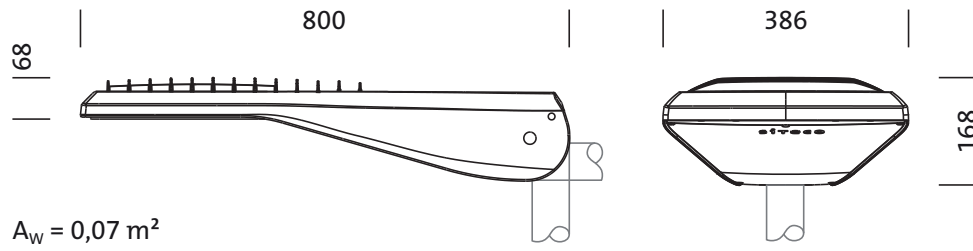
- Light emission: 0% at 0° inclination

Service life

- Rated life: 100000h (L80/B10) at AT = 25°C

Order No. OSRAM: 4050737959078 | Order No. Siteco: 5XA582431A08P

Dimensions: SL10md,ST1.2P1.0,LED16180lm750,Basic

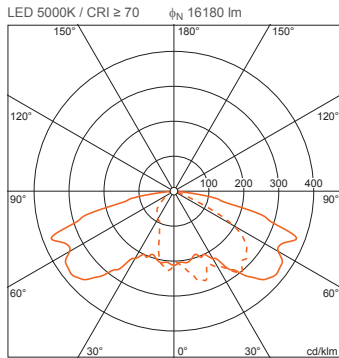


Order No. OSRAM: 4050737959078 | Order No. Siteco: 5XA582431A08P

Planning data: SL10md,ST1.2P1.0,LED16180lm750,Basic

5XA582431A08P: 1x LED
5000K / CRI ≥ 70

4050737959078
5XA582431A08P



— C 0/180 - - - C 90/270

Luminous intensity class according to
EN13201-2: G2

