

Order No.: 59US1HXMPC1A | GTIN (EAN): 4058352363799

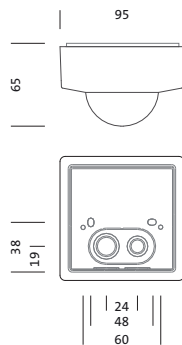
Product description: SconSHead,SensHdPC1M,lOkCtrl,PIR-sens



Siteco Connect Sensor-Head, Sensor-Head PC1-M, master,local
controlinstallation type: slip-in mounting, installation location: on interface, of
plastic, certification: CE, VDE, 1 x PIR movement sensor, 1 x light sensor, 1 x
IR receiver, packaging unit: 1 piece



Wt. (kg): 0.1
GTIN (EAN): 4058352363799



Order No.: 59US1HXMPC1A | GTIN (EAN): 4058352363799

Detailed technical description: SconSHead,SensHdPC1M,lokCtrl,PIR-sens



Key data

- System family: SITECO Connect
- Product type: sensor
- Product name: Siteco Connect Sensor-Head
- Order No.: 59US1HXMPC1A

Certificates, Standards

- Temperature range (operation): -20..+50°C
- Certification, designation: CE, VDE

Material, Colour

- housing: plastic, white
- Colour specification: white

Mounting

- Mounting method, mounting location: slip-in mounting, on interface
- Mounting height: 2.5..4m

Dimensions, Weight

- Length: 95mm
- Width: 95mm
- Height: 65mm
- Weight: 0.1kg

Inputs

1x PIR movement sensor

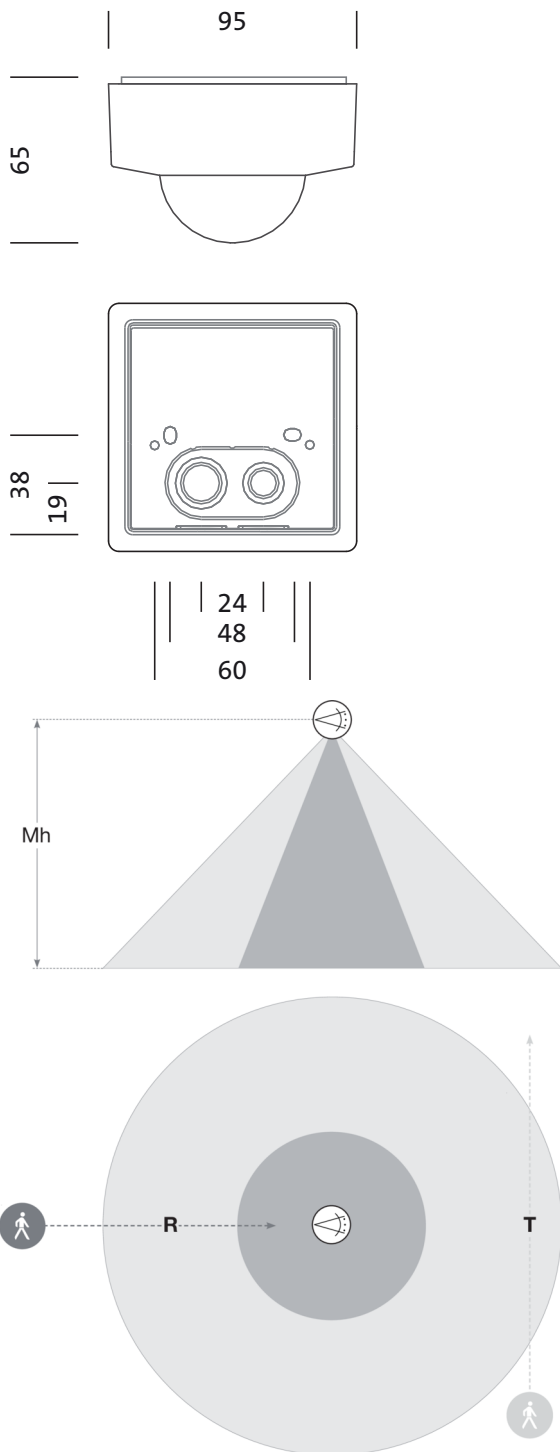
- Connection: system connector
- Detection range: D max. 40m
- Option: 11 detection levels, 1416 switching zones
- Feature: detection range can be limited with shield, circular detection area

1x IR receiver

- Feature: IR receiver for programming with Smart Remote

Order No.: 59US1HXMP1A | GTIN (EAN): 4058352363799

Dimensions: SconSHed,SensHdPC1M,lokCtrl,PIR-sens



Sensor Head PC1

Mh	R	T
2m	$\varnothing = 11,4m$	$\varnothing = 40m$
3m	$\varnothing = 11,4m$	$\varnothing = 40m$

It is mandatory that the assembly instructions must be observed when planning and installing the electrical installation (to be found at www.siteco.com)
 Issued 09.12.2021 - Modifications and errors subject to change - Ensure that you always use the latest version -