

Order No.: 59US1HXSPC1A | GTIN (EAN): 4058352363911

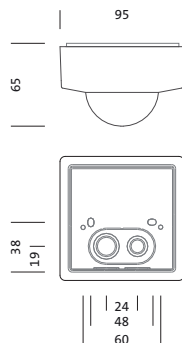
Product description: LicrSensHd,SensHdPC1S,lokCtrlcentCtrl



Licross® Sensor Head, Sensor-Head PC1-S, slave,local controlcentral controlinstallation type: slip-in mounting, installation location: on interface, of plastic, certification: CE, VDE, 1 x PIR movement sensor, 1 x light sensor, packaging unit: 1 piece



Wt. (kg): 0.1
GTIN (EAN): 4058352363911



Order No.: 59US1HXSPC1A | GTIN (EAN): 4058352363911

Detailed technical description: LicrSensHd,SensHdPC1S,IokCtrlcentCtrl



Key data

- System family: Siteco Connect 11, SITECO Connect I/O, DALI-2
- Product type: sensor
- Product name: Licross® Sensor Head
- Order No.: 59US1HXSPC1A

Lighting technology | Lamps | Control gear

Component 1

Operating device:

- Control: DALI 2

Certificates, Standards

- Temperature range (operation): - 20..+50°C
- Certification, designation: CE, VDE

Material, Colour

- housing: plastic, white
- Colour specification: white

Mounting

- Mounting method, mounting location: slip-in mounting, on interface
- Mounting height: 2.5..4m

Dimensions, Weight

- Length: 95mm
- Width: 95mm
- Height: 65mm
- Weight: 0.1kg

Inputs

1x PIR movement sensor

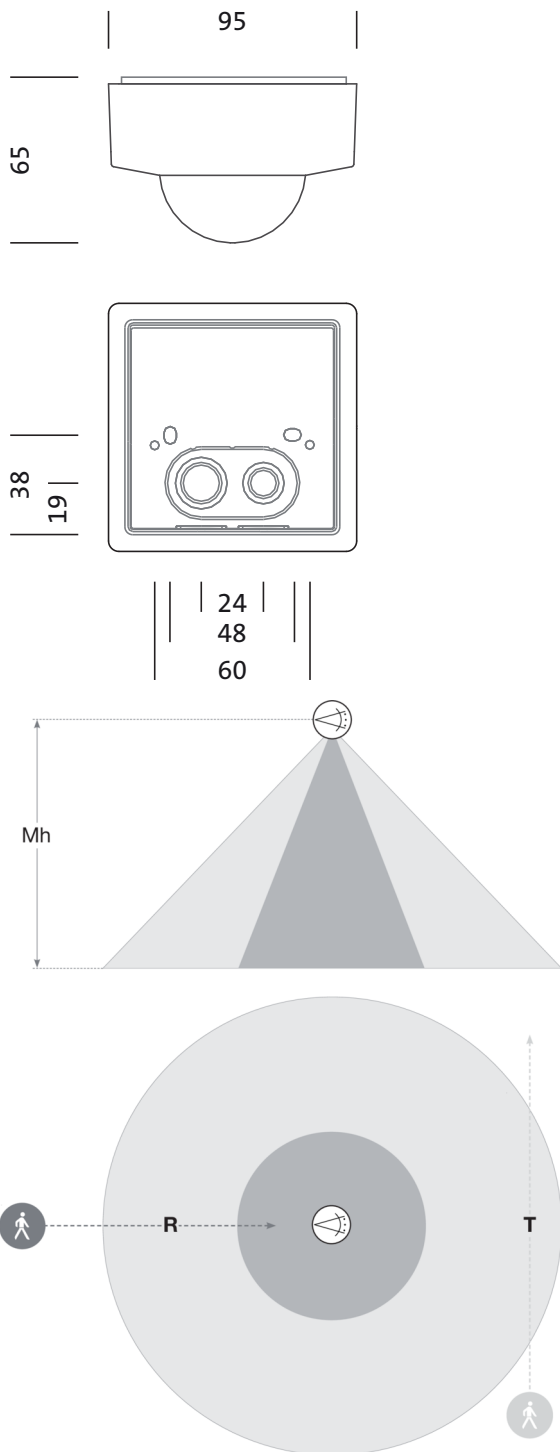
- Connection: system connector
- Detection range: D max. 40m
- Option: 11 detection levels, 1416 switching zones
- Feature: detection range can be limited with shield, circular detection area

1x light sensor

- Feature: light sensor with 'local control' without function

Order No.: 59US1HXSPC1A | GTIN (EAN): 4058352363911

Dimensions: LicrSensHd,SensHdPC1S,lokCtrlCentCtrl



Sensor Head PC1

Mh	R	T
2m	ø = 11,4m	ø = 40m
3m	ø = 11,4m	ø = 40m

It is mandatory that the assembly instructions must be observed when planning and installing the electrical installation (to be found at www.siteco.com)
 Issued 23.04.2021 - Modifications and errors subject to change - Ensure that you always use the latest version -